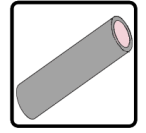


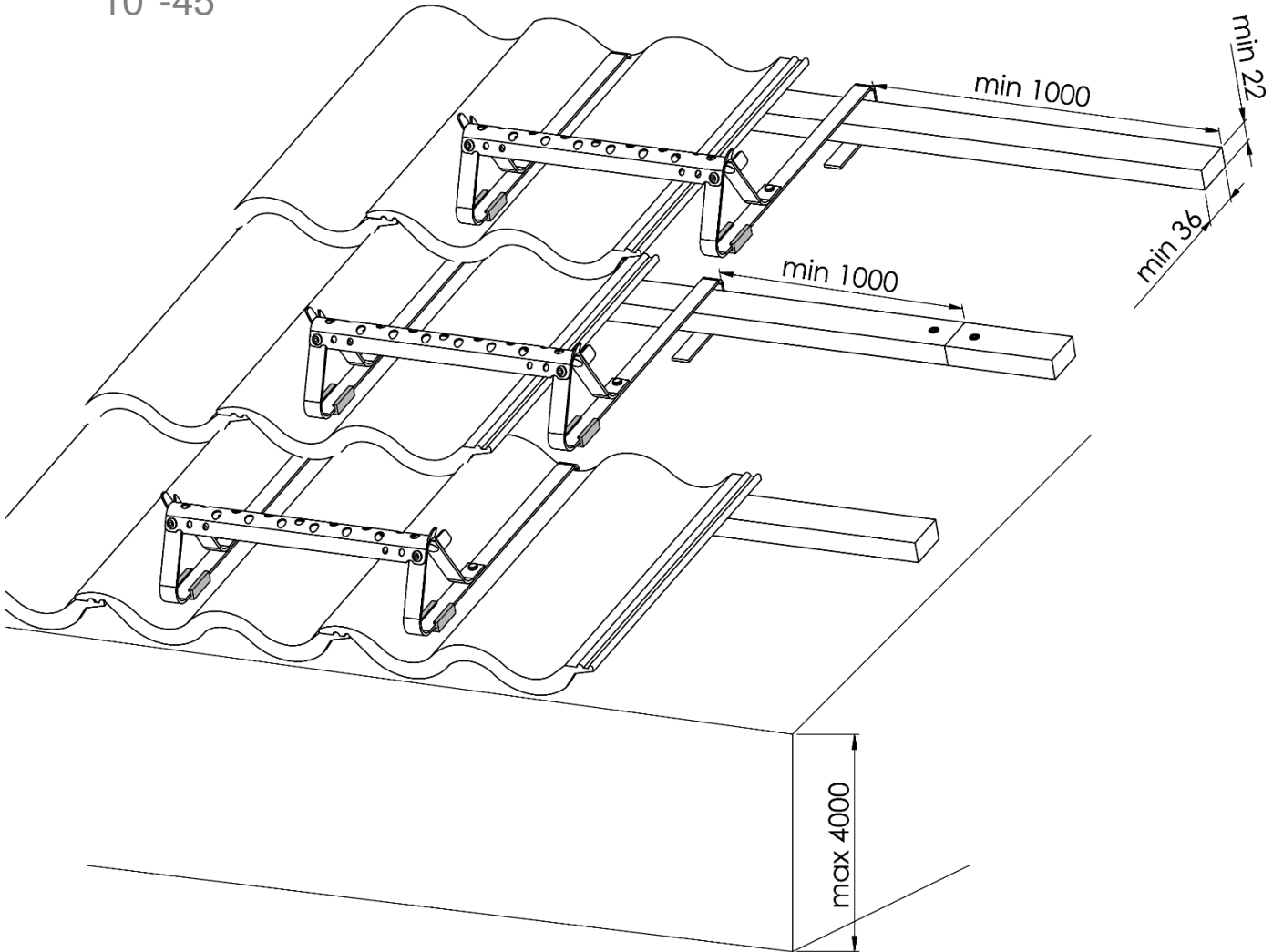
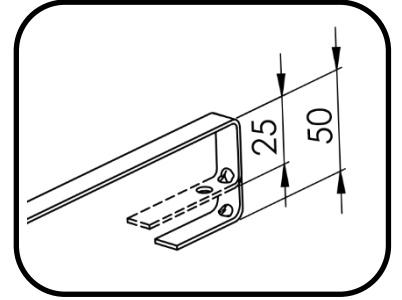
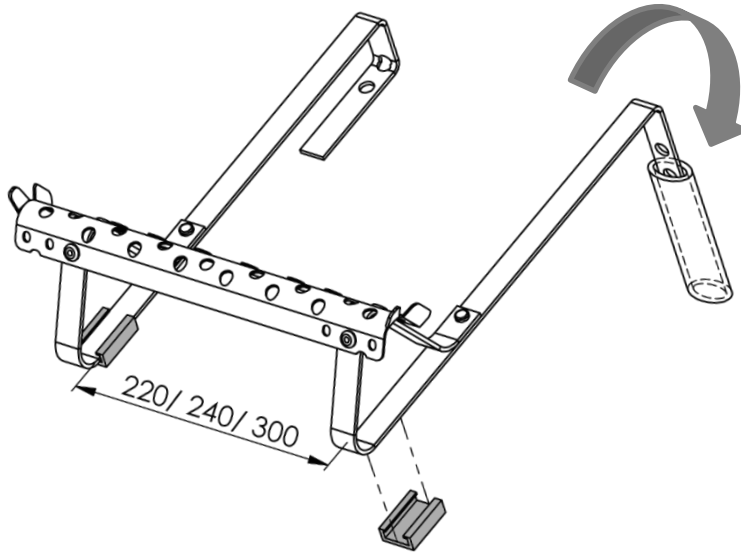


M-034 2309 EU

Patent Pending



[mm]



cwlundberg.com

