



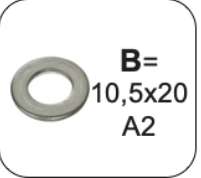
M-085-1 2205



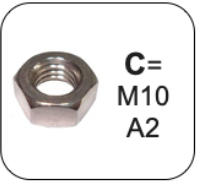
[mm]



A=
M10x32
A2

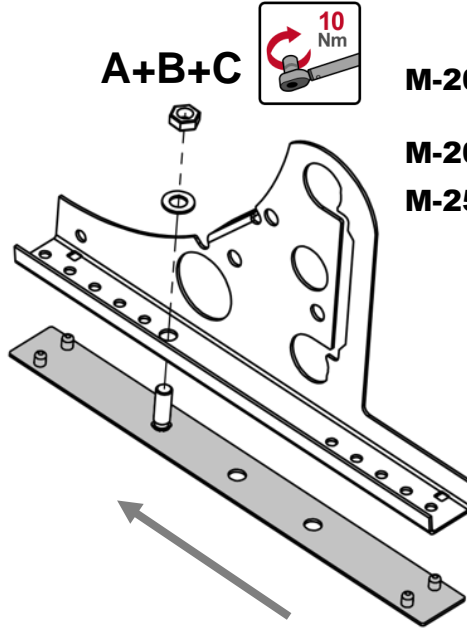


B=
10,5x20
A2



C=
M10
A2

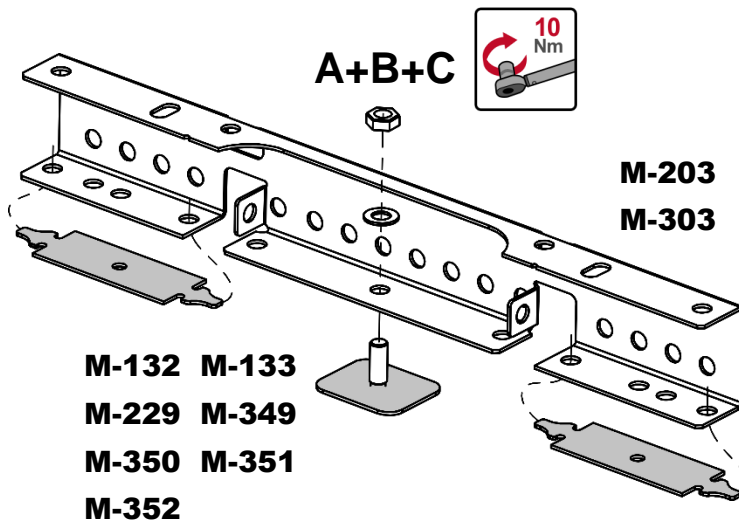
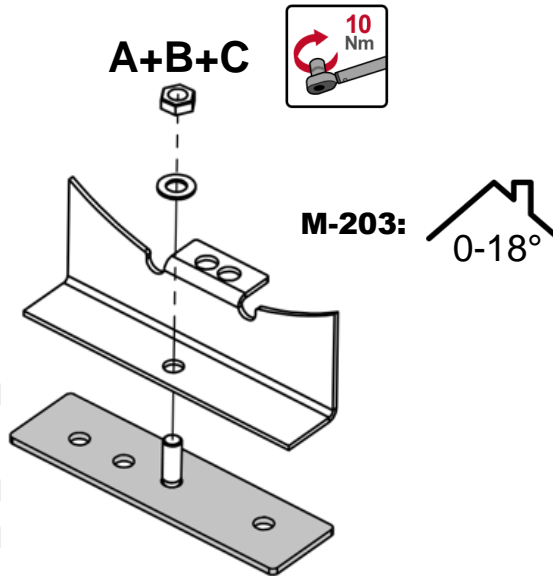
- M-132
- M-133
- M-229
- M-349
- M-350
- M-351
- M-352



*PVC, ECB, FPO:
M-203 + M-349-2

*EPDM:
M-203+M-351-2
/ **M-203+M-352-2**

- M-229
- M-349-1
- M-350
- M-351-1
- M-352-1



cwlundberg.com

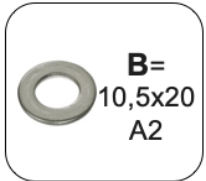


M-085-2 2205

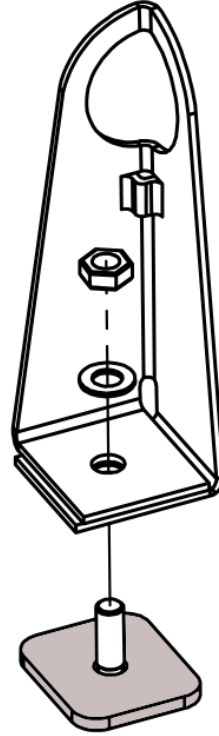
M-220



[mm]

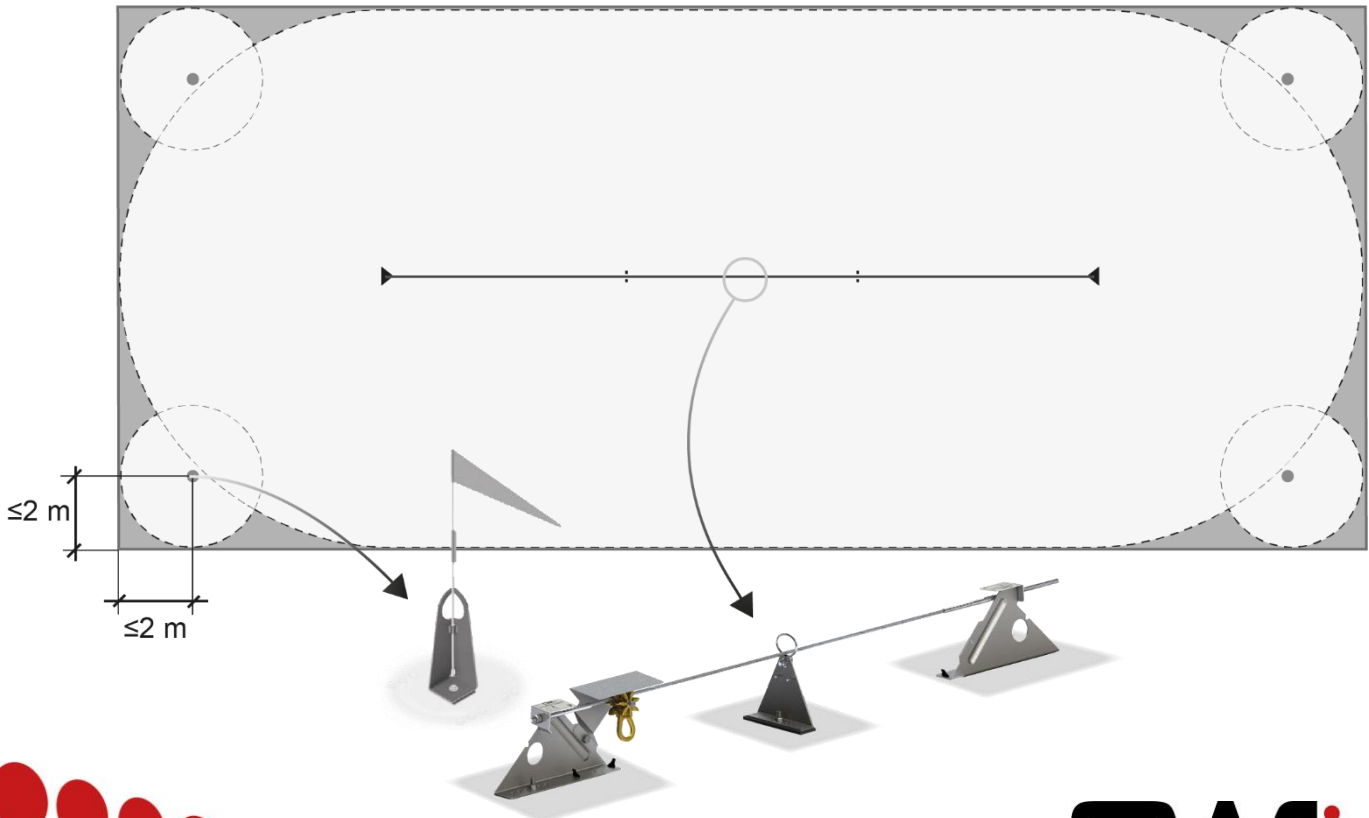


A+B+C



- M-341
- M-349
- M-350
- M-351-1
- M-352-2

cwlundberg.com



© CWL