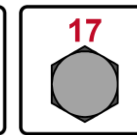
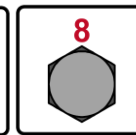
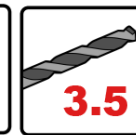


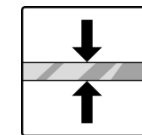
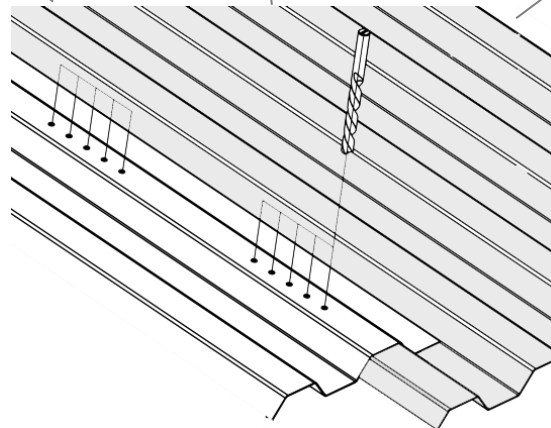
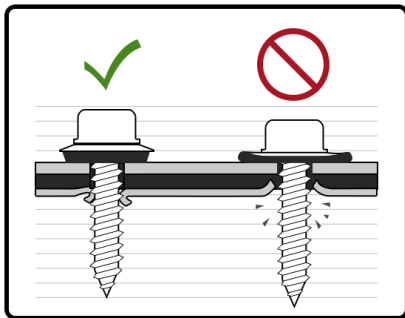
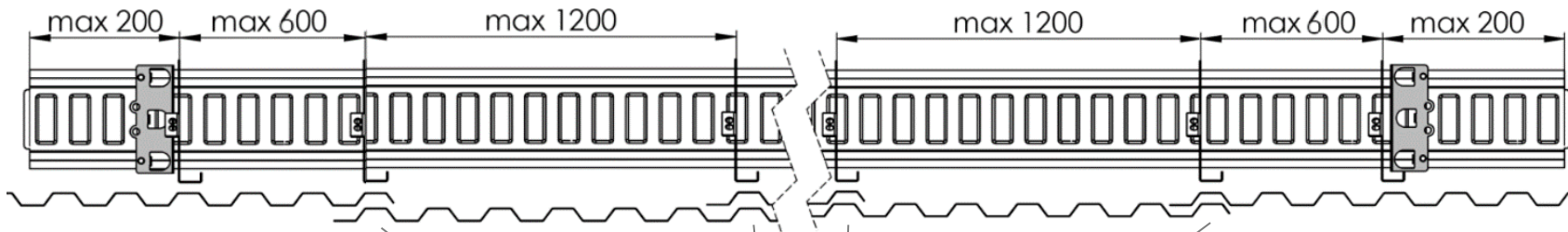
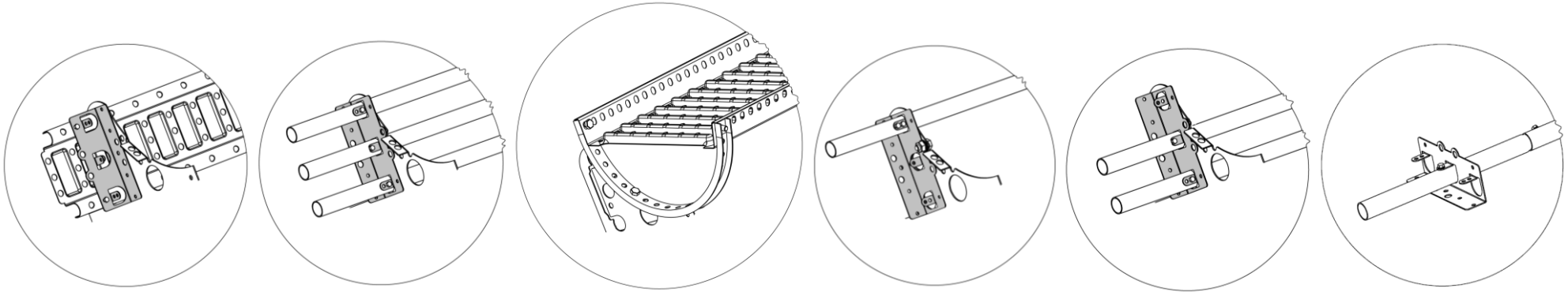


M-124-1 2105

M-203 M-204 M-224



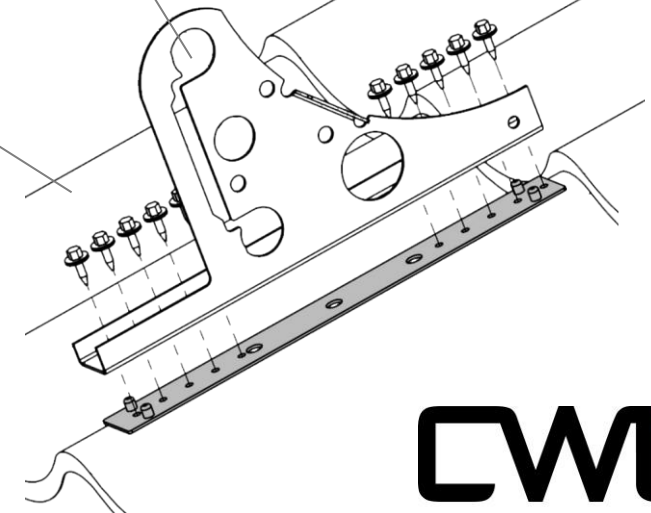
[mm]



Fe min. 0,4
Al min. 0,4

min 3x

10x R



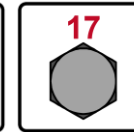
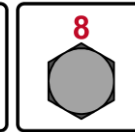
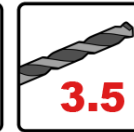
© CWL

cwlundberg.com

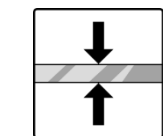
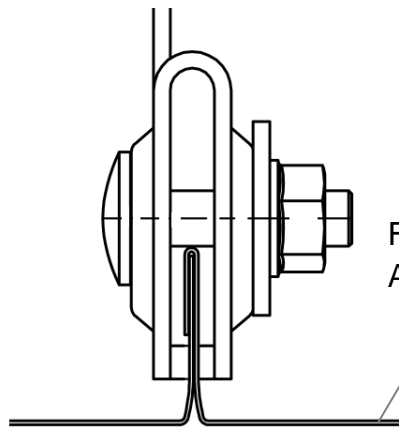
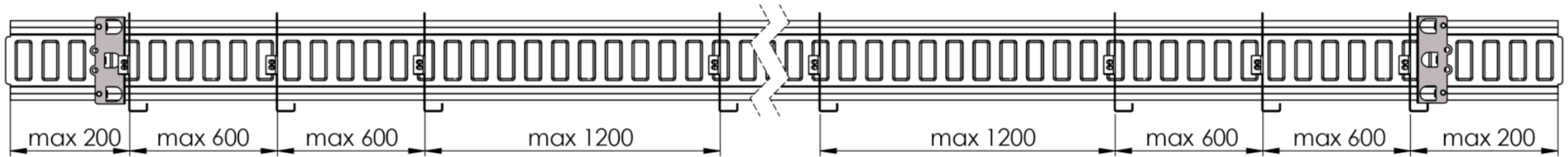
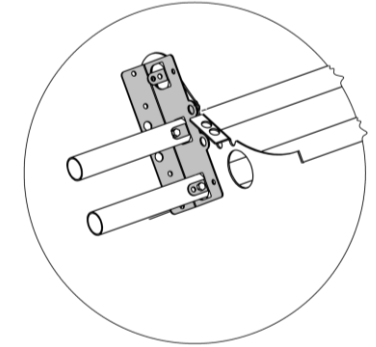
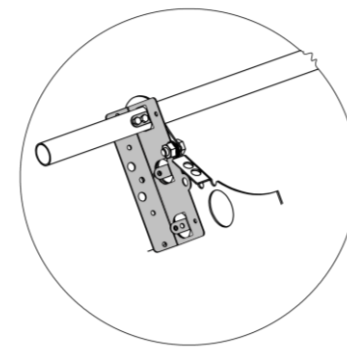
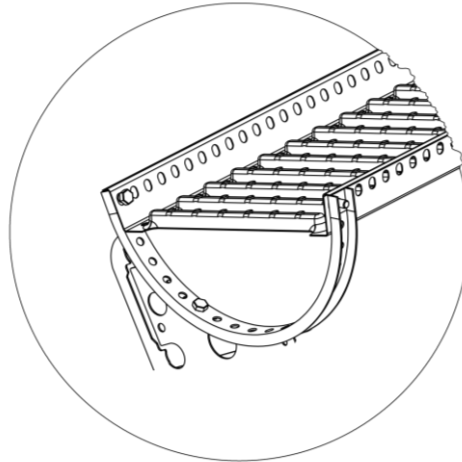
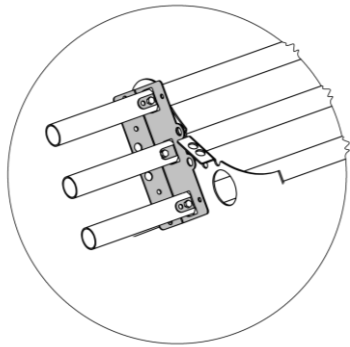
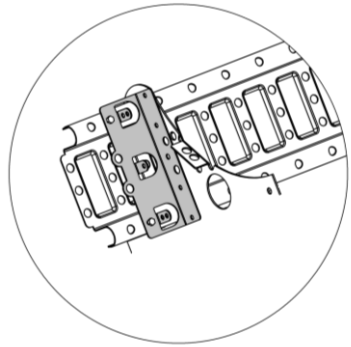


M-124-2 2105

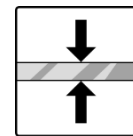
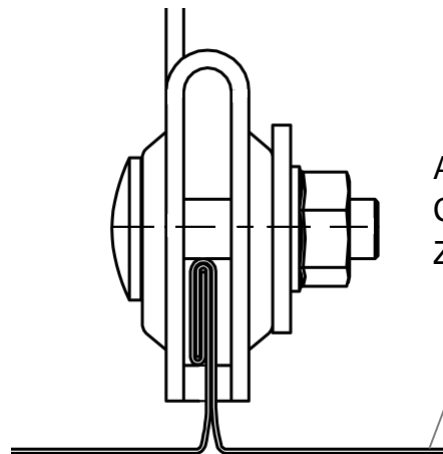
M-203 M-204



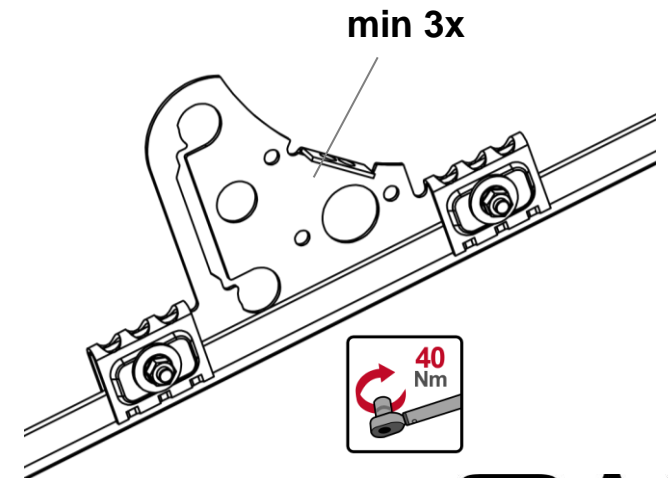
[mm]



Fe min 0.6
A2 min 0.4



Al min 0.7
Cu min 0.6
Zn min 0.6

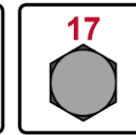
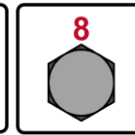
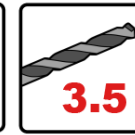


cwlundberg.com

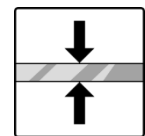
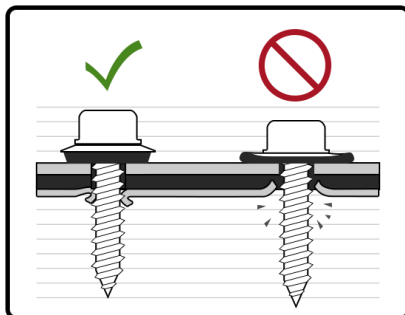
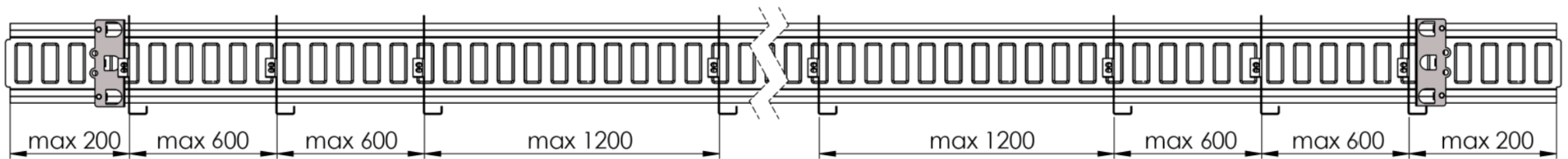
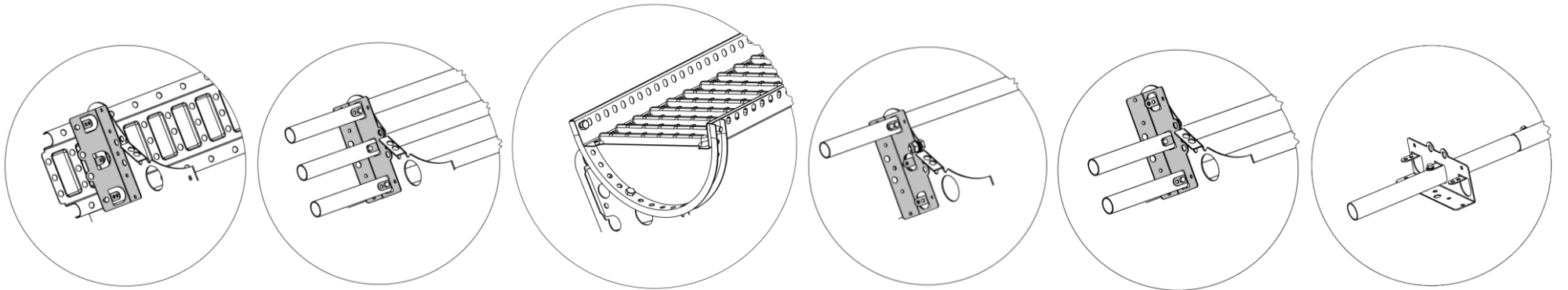


M-124-3 2105

M-203 M-204 M-224



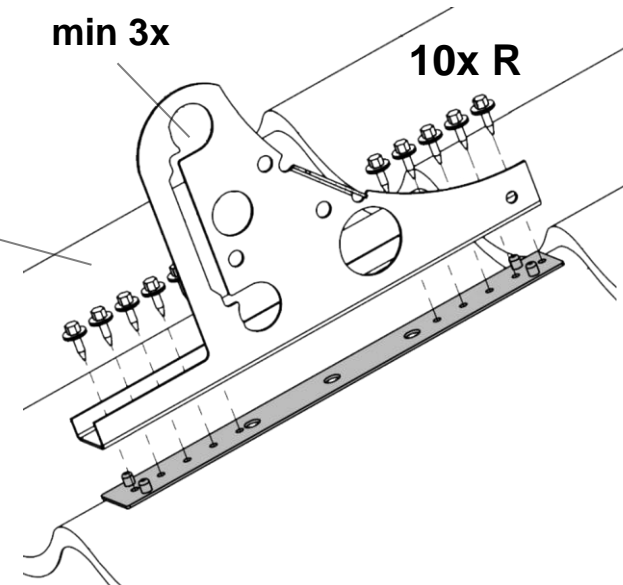
[mm]



Al min 0,8

min 3x

10x R



cwlundberg.com


© CWL

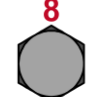


M-124-4 2105

M-203 M-204

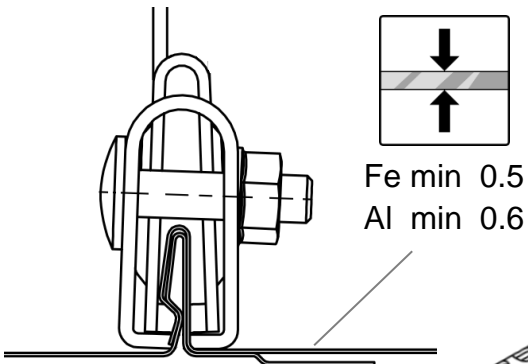
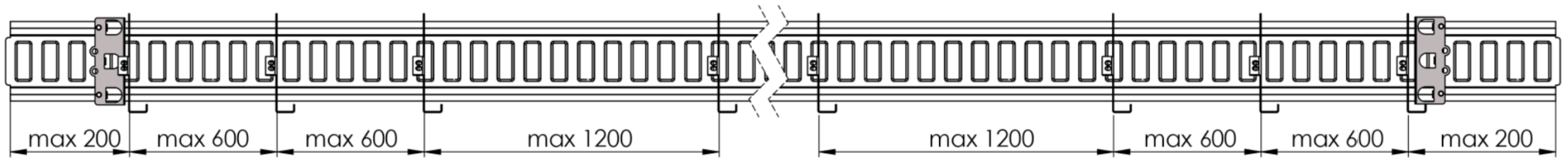
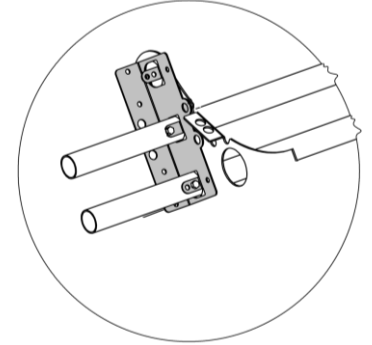
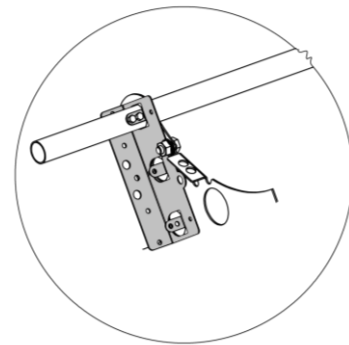
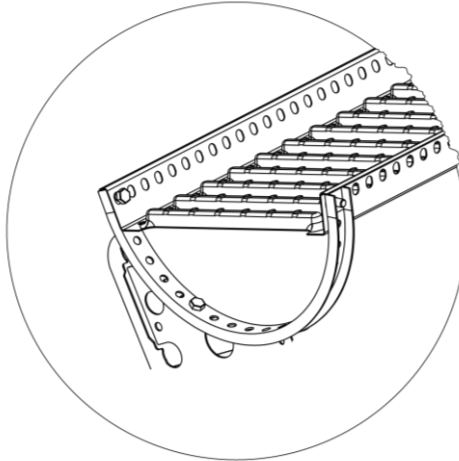
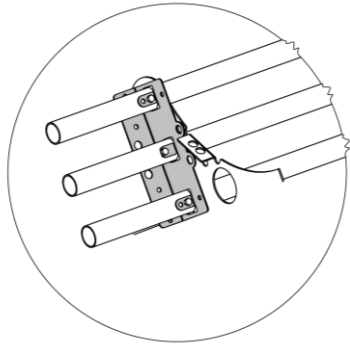
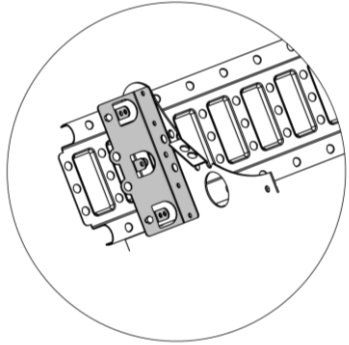
QR
Code




3.5

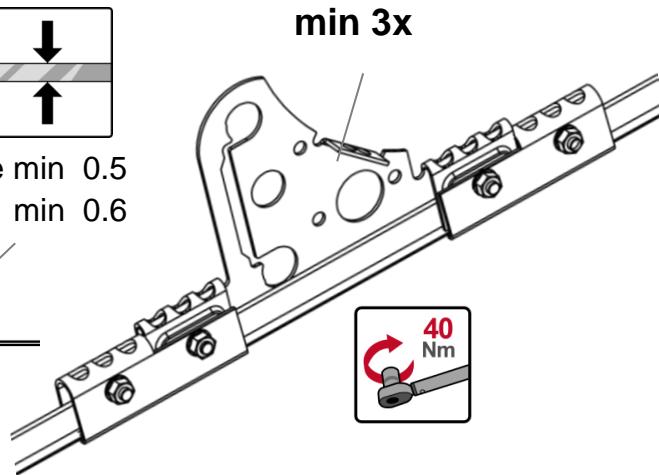
8


17


[mm]

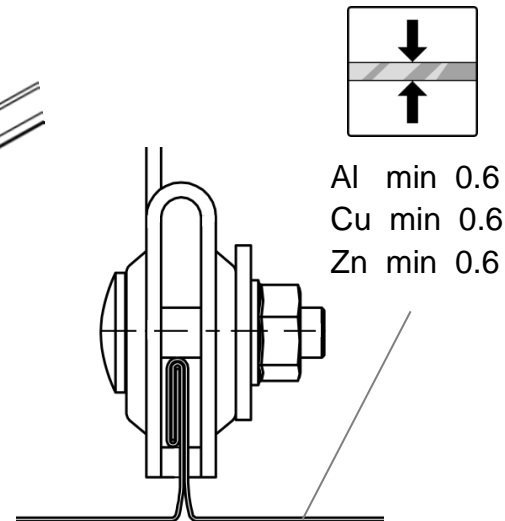






Fe min 0.5
Al min 0.6

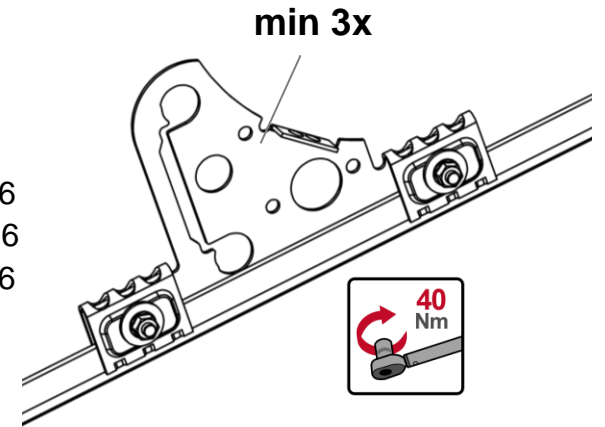


min 3x


40
Nm





Al min 0.6
Cu min 0.6
Zn min 0.6



min 3x


40
Nm

cwlundberg.com