



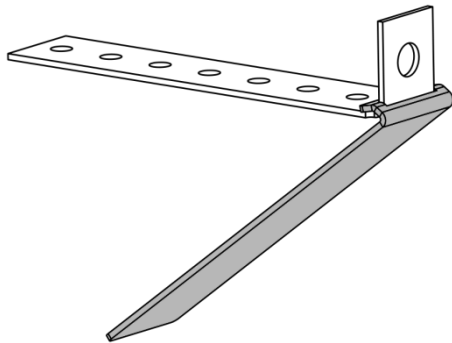
# EXTENSION RAIL

FOR BRACKET ROOF LADDER/  
WALKWAY IN DIRECTION OF PITCH

**M-131 1804 GB**

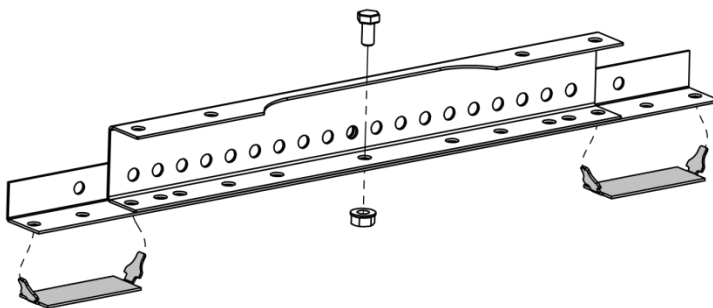


Extension rail for installation of bracket for roof ladder/walkway in direction of pitch on sheet metal roofs with C-C distance between profile tops 550 - 560 mm.

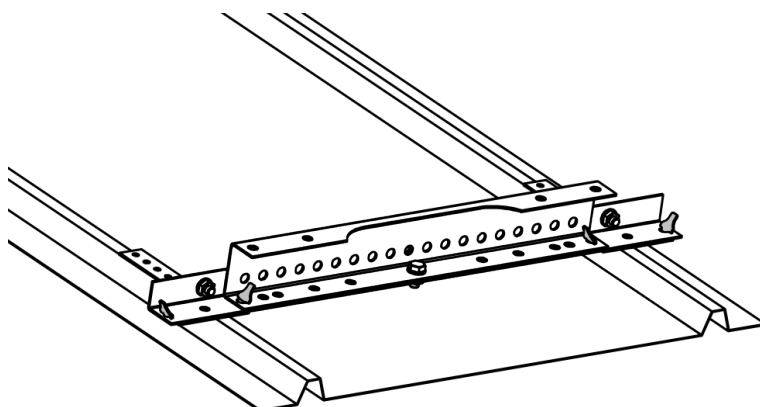
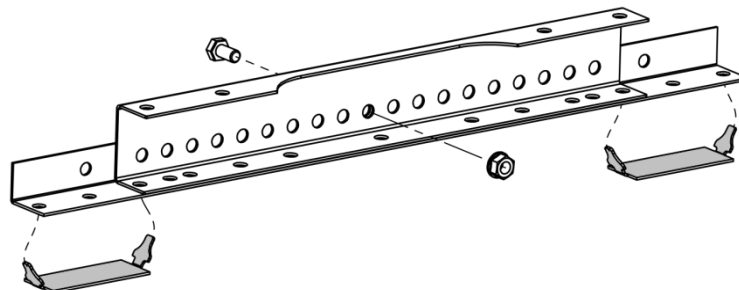


Sample bracket

Install the EPDM seal on the mount.



Install the extension rail with EPDM seals on the bracket with 1 screw hot galv. M10 x 20 with flange nut. (Install according to any of these designs)



2 mounts with EPDM seals are installed on the ends of the support rails and are screwed in place on the profile tops using 14 self-tapping screws with sealing washers A2 18 x 6 mm.

Screw with a low torque for an optimal thread formation in the steel plate.

Installation of roof ladder as specified in installation instruction **M-205** and **M-303**.