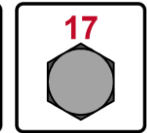
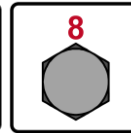
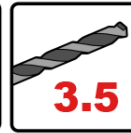


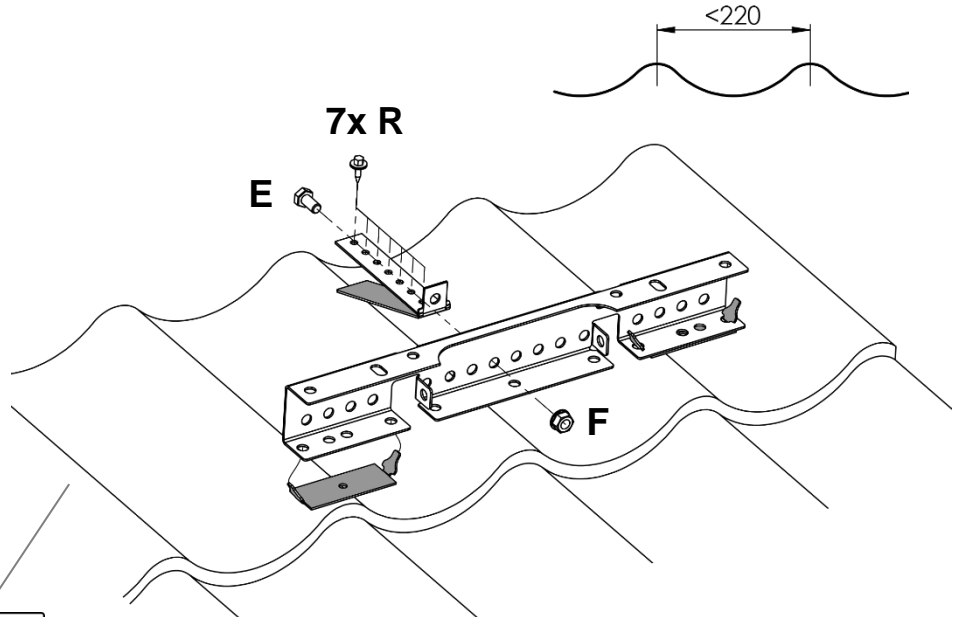
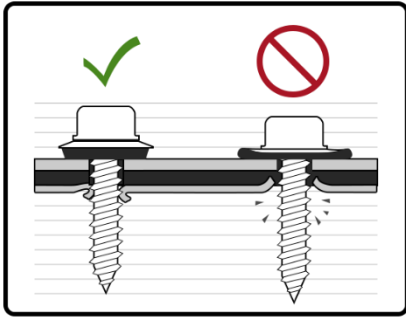


# M-202-1 2206

M-203 M-303 M-336



[mm]



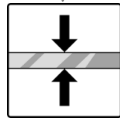
**E=**  
M10x20  
8.8 FZV



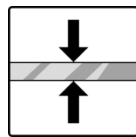
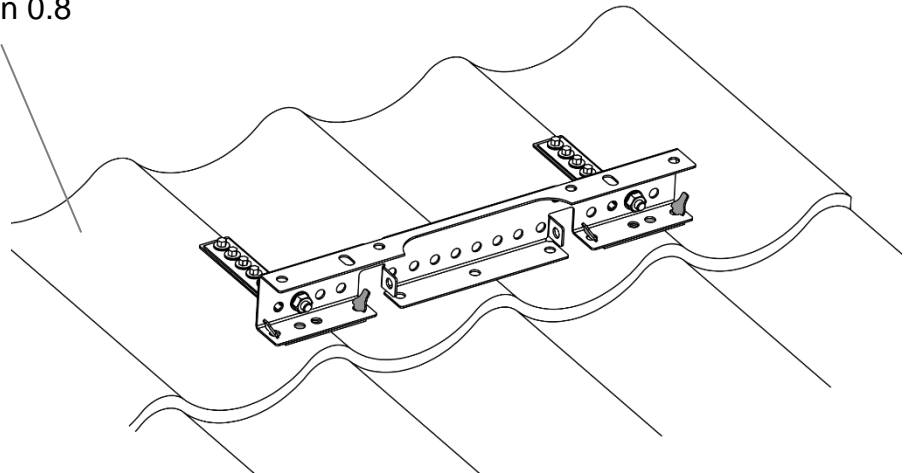
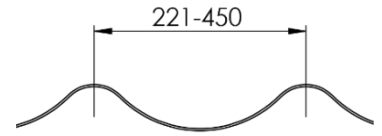
**F=**  
M10  
8.8 FZV



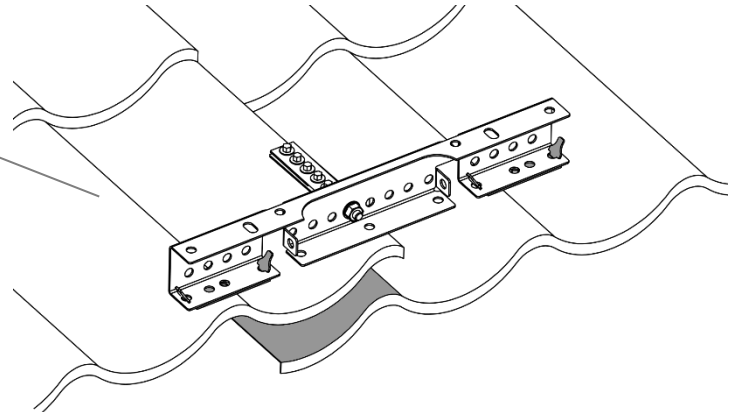
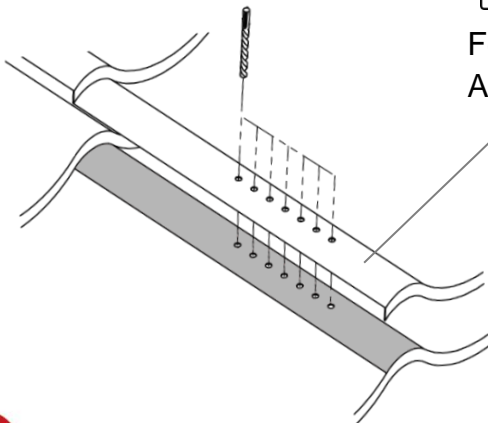
**R=**  
6,3x19  
A2



Fe min 0.5  
Al min 0.8



Fe min 0.4  
Al min 0.4



[cwlundberg.com](http://cwlundberg.com)



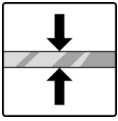


# M-202-2 2206

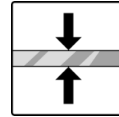
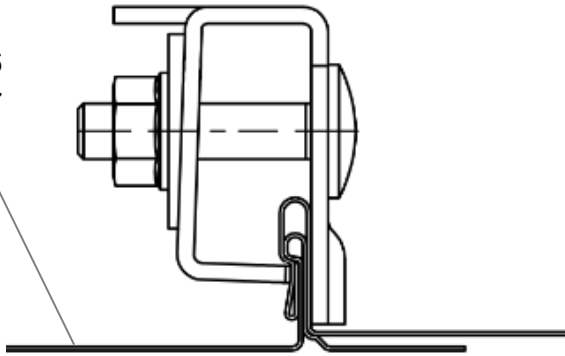
M-203 M-303 M-335



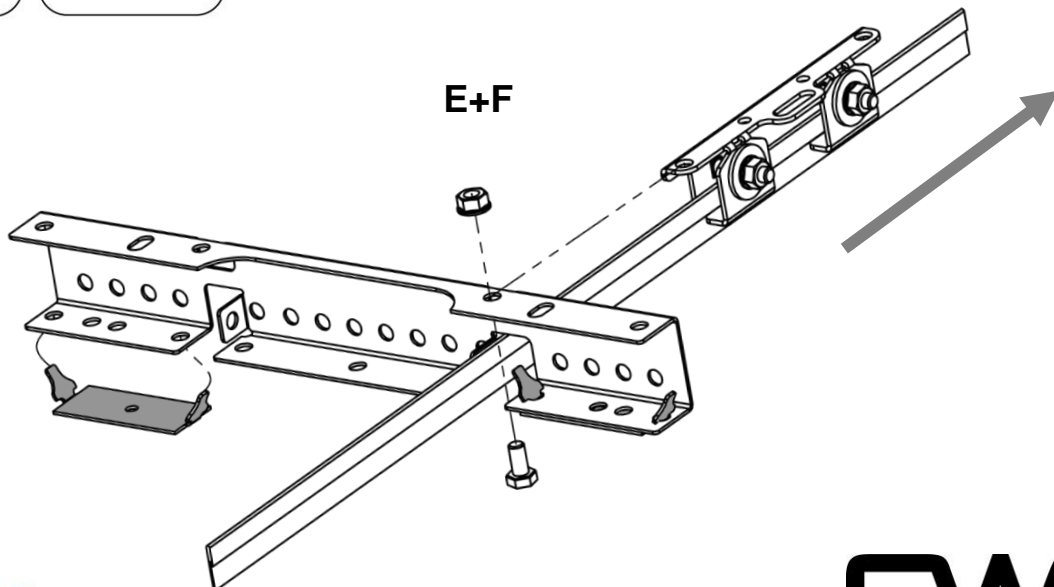
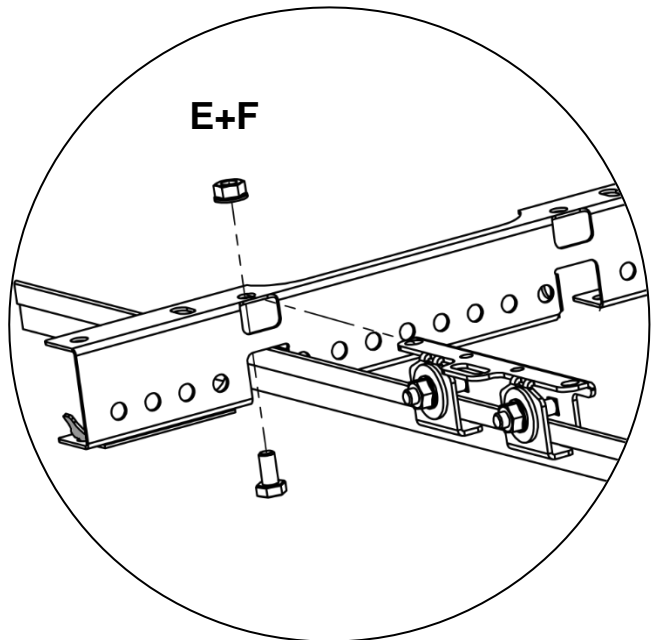
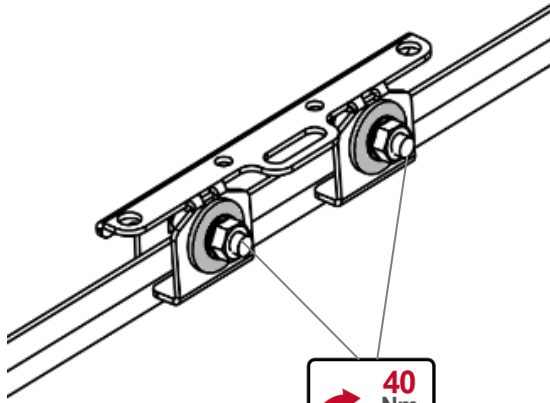
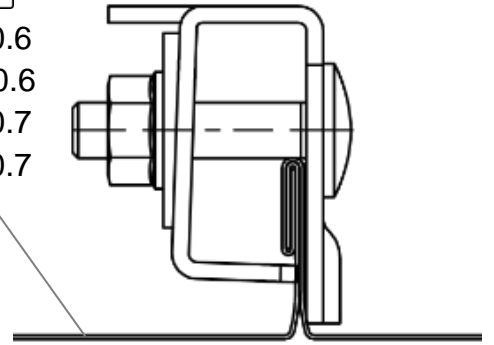
[mm]



Fe min 0.6  
Al min 0.7



Fe min 0.6  
Cu min 0.6  
Al min 0.7  
Zn min 0.7



cwlundberg.com