

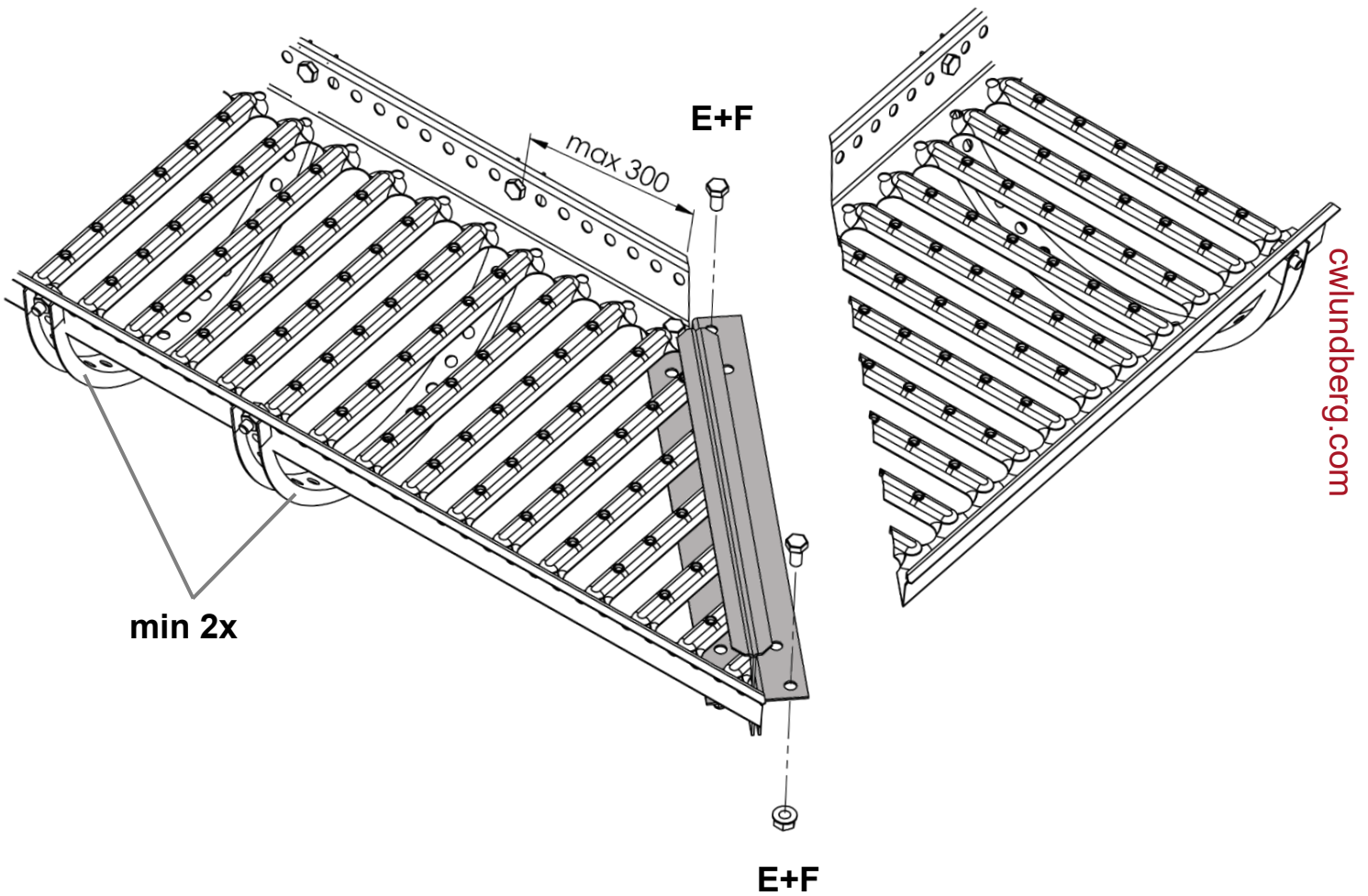


M-219 2007

M-203



[mm]



cwlundberg.com