



M-222-1 2105

M-124 M-203 M-204 M-251



Patent
Pending

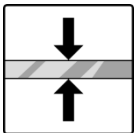
8



17



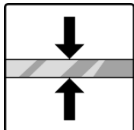
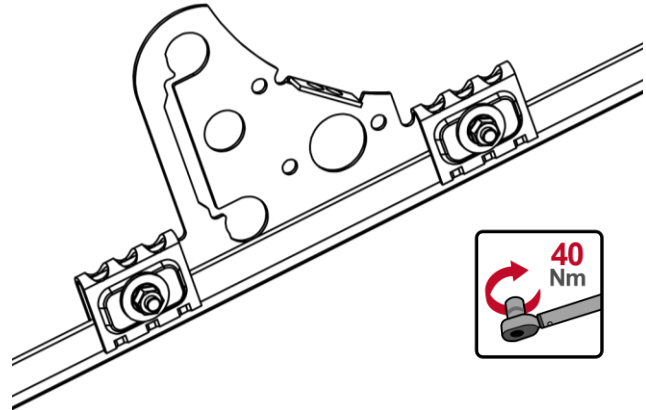
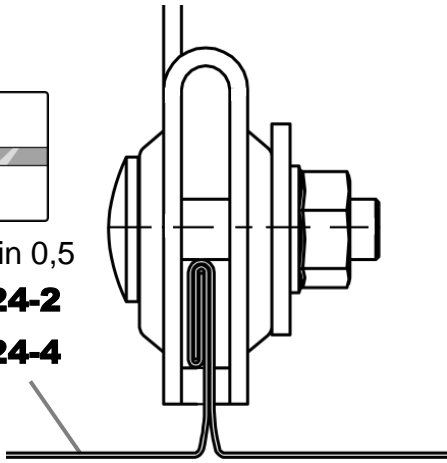
[mm]



Fe min 0,5

M-124-2

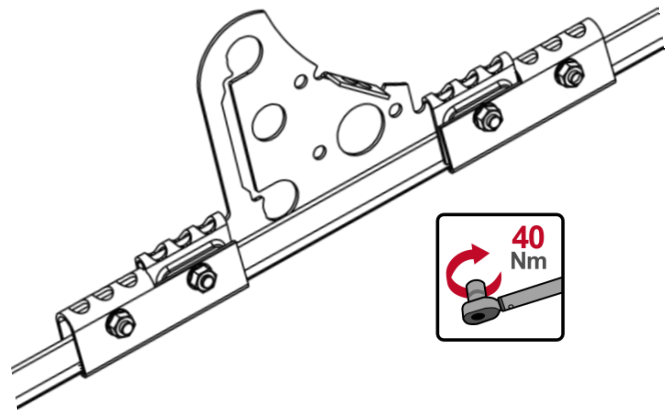
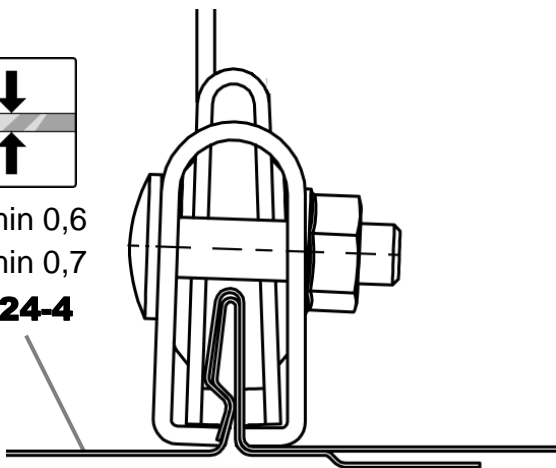
M-124-4



Fe min 0,6

Al min 0,7

M-124-4



cwlundberg.com

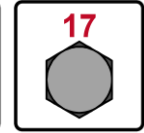
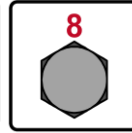


M-222-2 2105

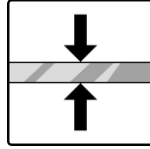
M-124 M-203* M-204 M-251



Patent Pending



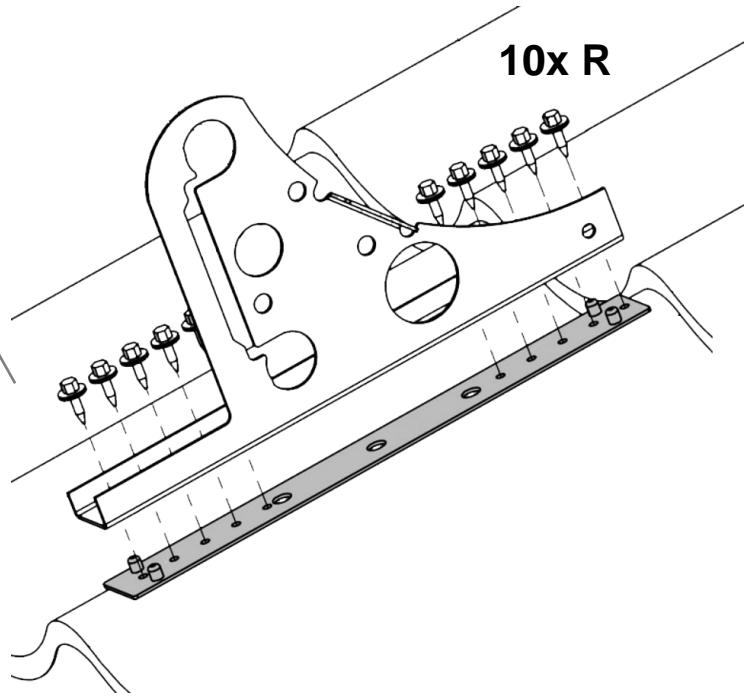
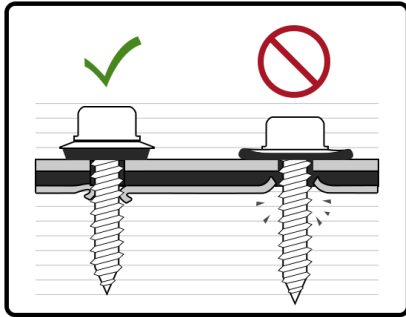
[mm]



Fe min 0,5

M-124-1

M-124-3



cwlundberg.com

