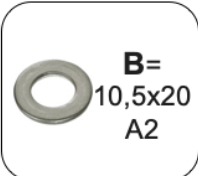




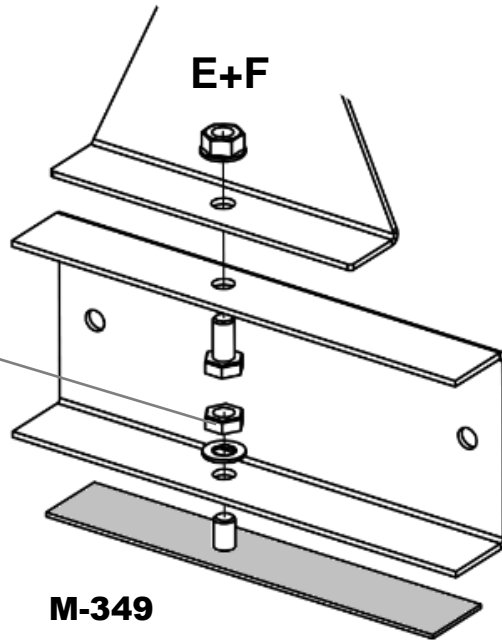
M-229 2204



[mm]



A+B+C

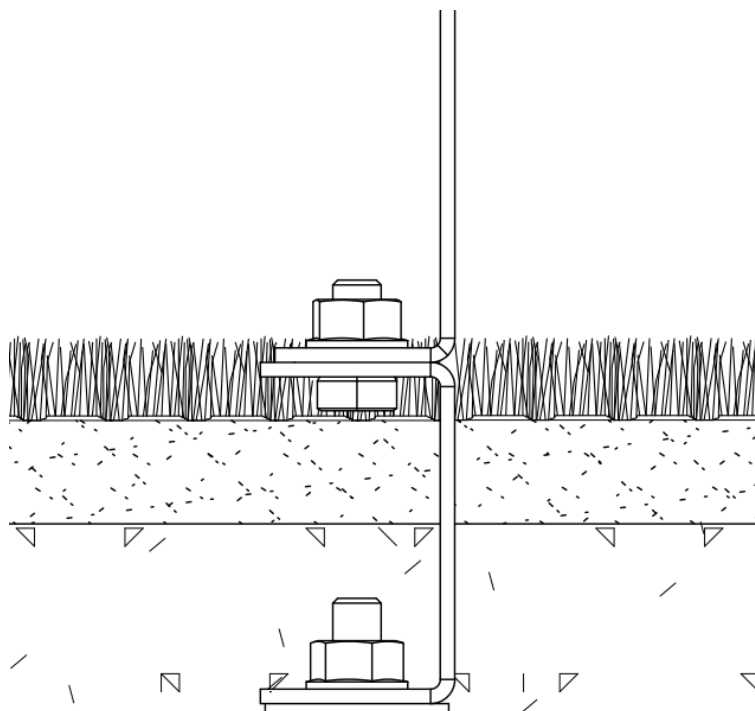


M-349

M-350

M-351

M-352



cwlundberg.com