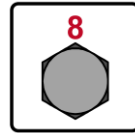
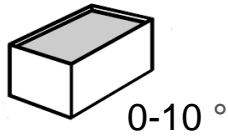




M-236 2204



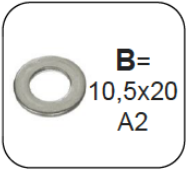
[mm]



U=
5,5x20
A2



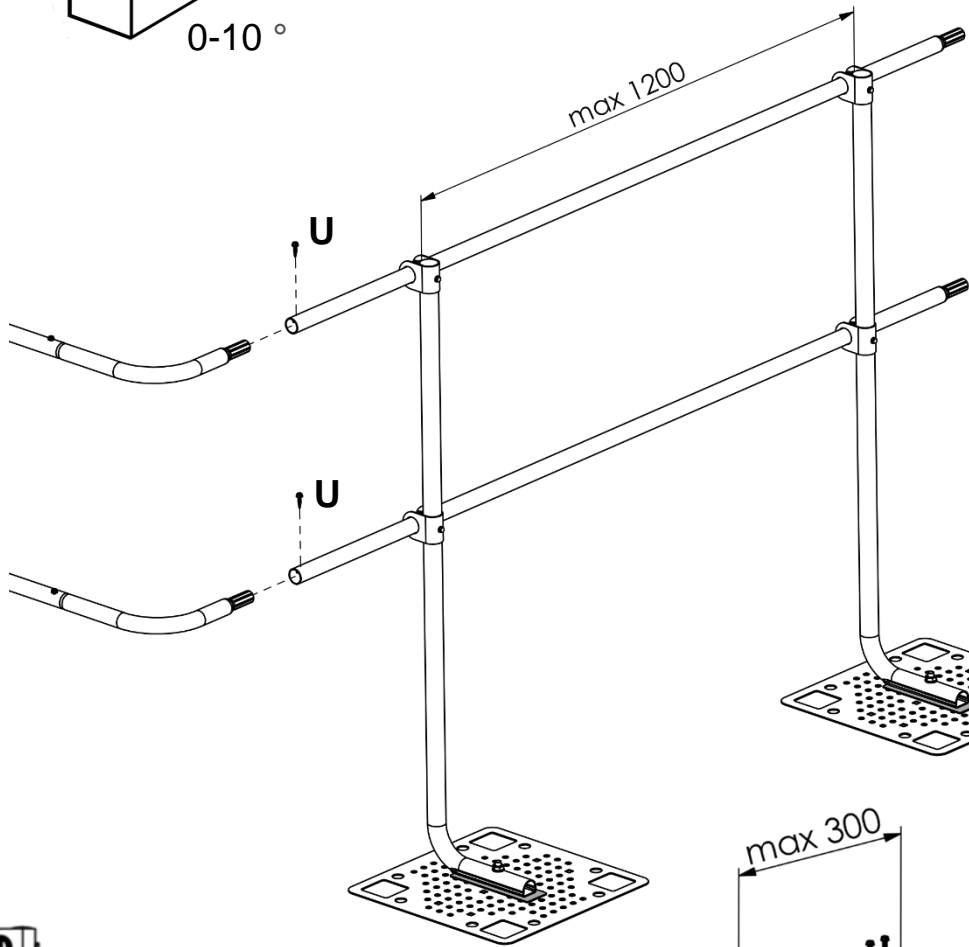
D=
M10x50
A2



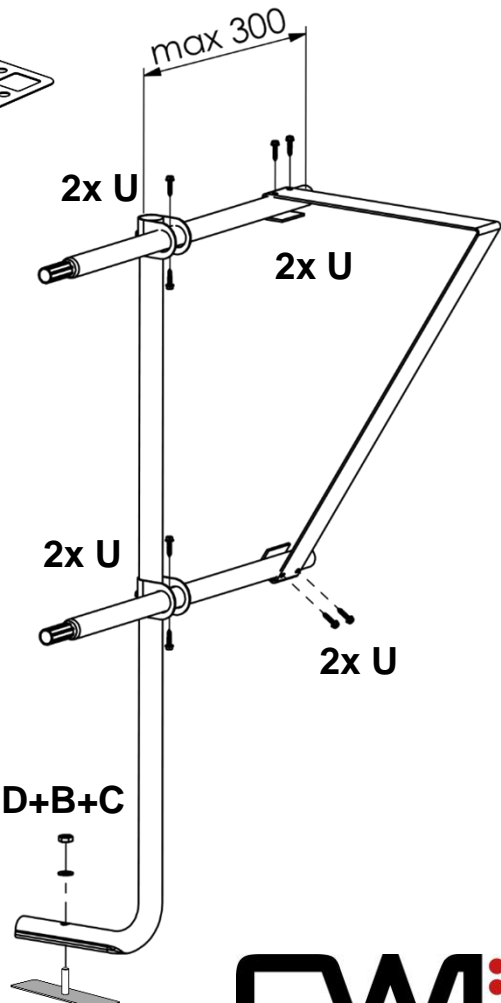
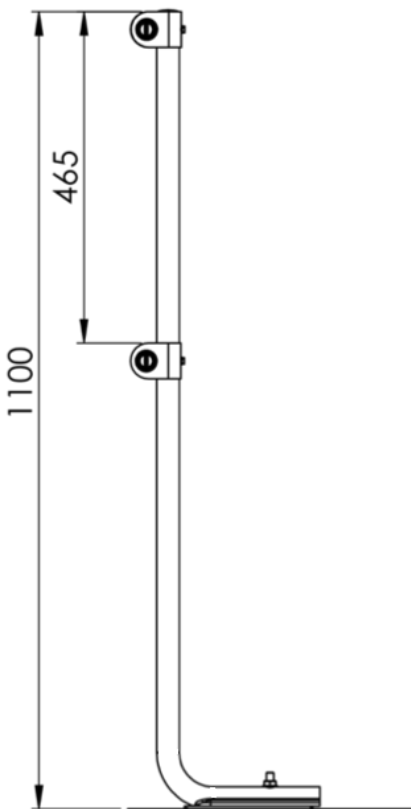
B=
10,5x20
A2



C=
M10
A2



M-349-2
M-350
M-351-2
M-352-2



D+B+C

© CWL

CWL
ROOF SAFETY MORA SWEDEN

cwlundberg.com