



Snow stopper rake for installation on standing seam metal roofs and pre-fabricated panel roofs.

Maximum distance between fold mounts 600 mm.

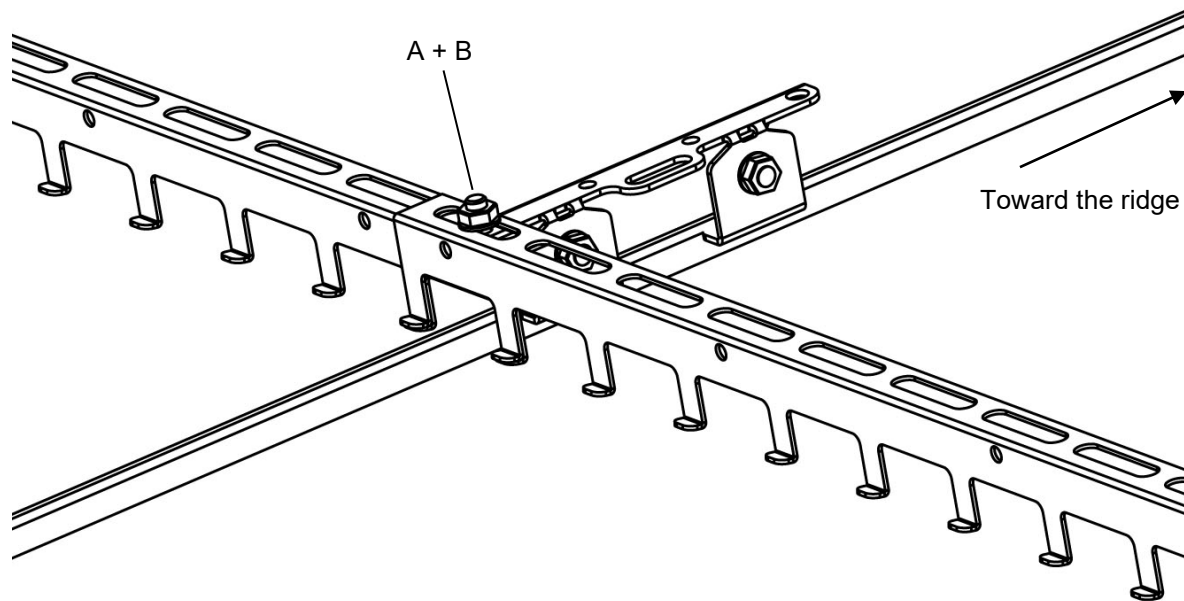
Make sure that the tabs on the fold mount are placed under the edge of the seam.

Tighten to a torque of at least 30 Nm.

Snow stopper is extended by overlapping at least one assembly hole at the fold mount.

Bolted joints shall pass through both snow stoppers at overlaps.

Maximum protrusion from the outermost fold mount: 150 mm.



Please note that the snow stopper does not replace the avalanche guard at the roof foot.

A= Screw, hot galv. M10 x 20, B= Flange nut, hot galv. M10