



# M-284 2502

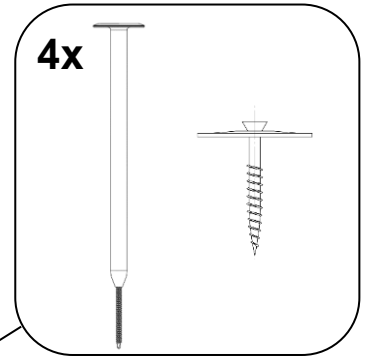
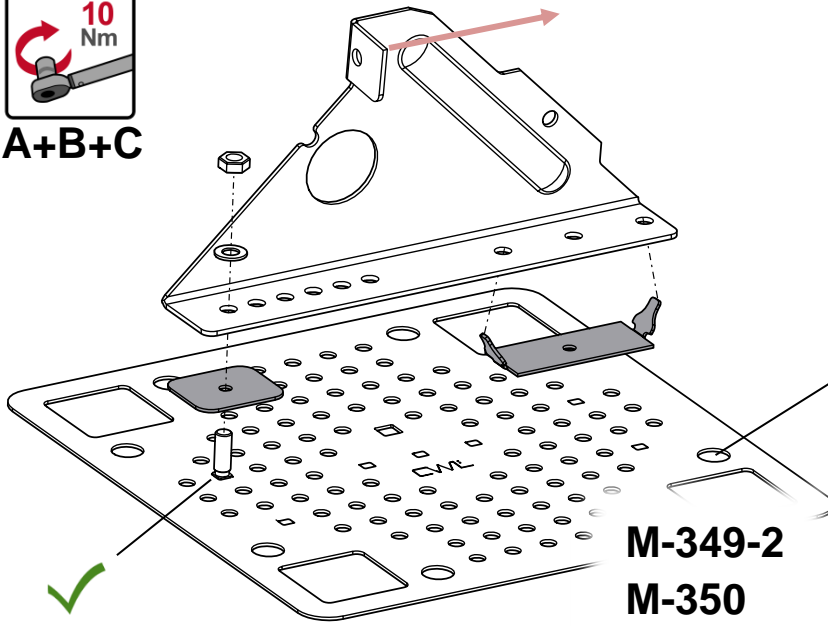
M-283 M-368



[mm]



A+B+C



\*PVC, ECB, FPO:

**M-349-2**

\*EPDM:

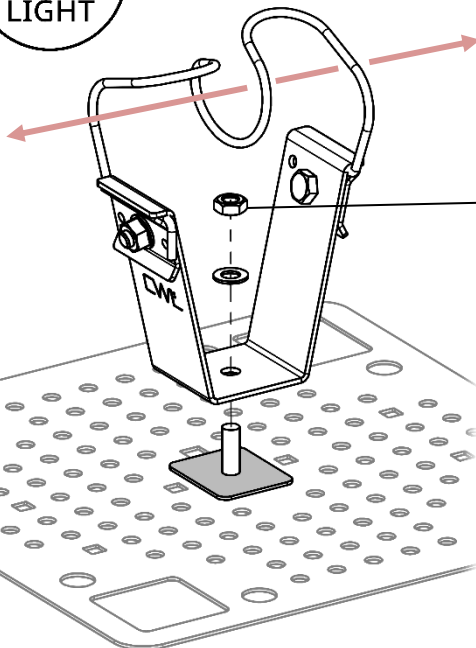
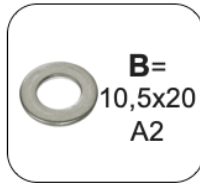
**M-351-2 M-352-2**

**M-349-2**

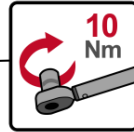
**M-350**

**M-351-2**

**M-352-2**



A+B+C



**M-349-1**

**M-350**

**M-351-1**

**M-352-1**

