

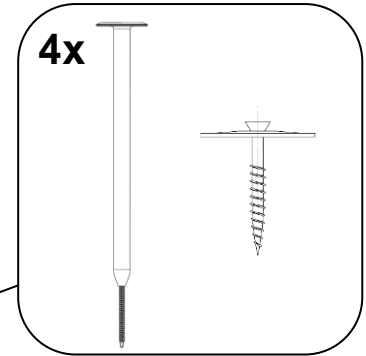
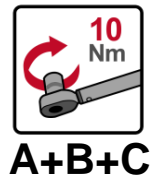
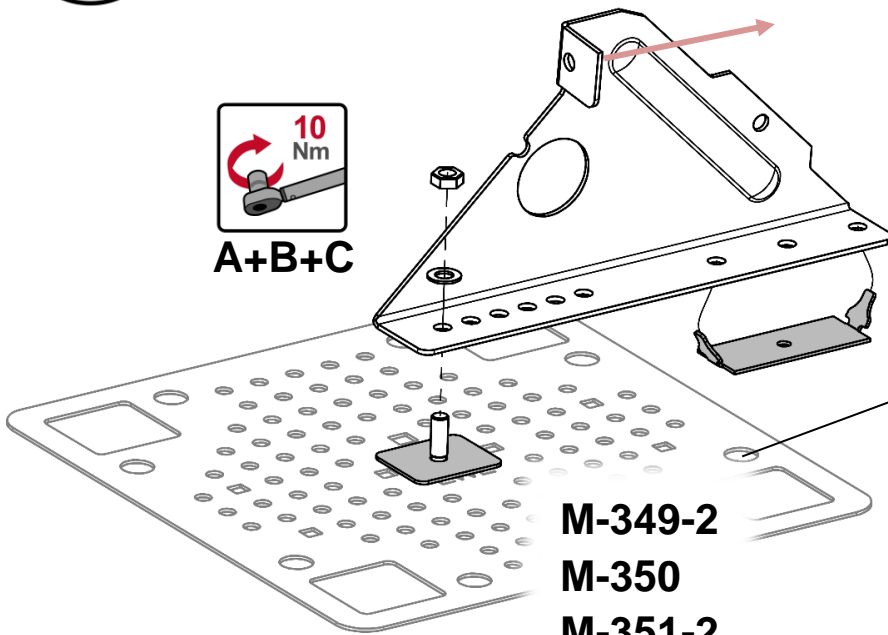


# M-284 2311

M-283 M-368



[mm]



4x

M-349-2

M-350

M-351-2

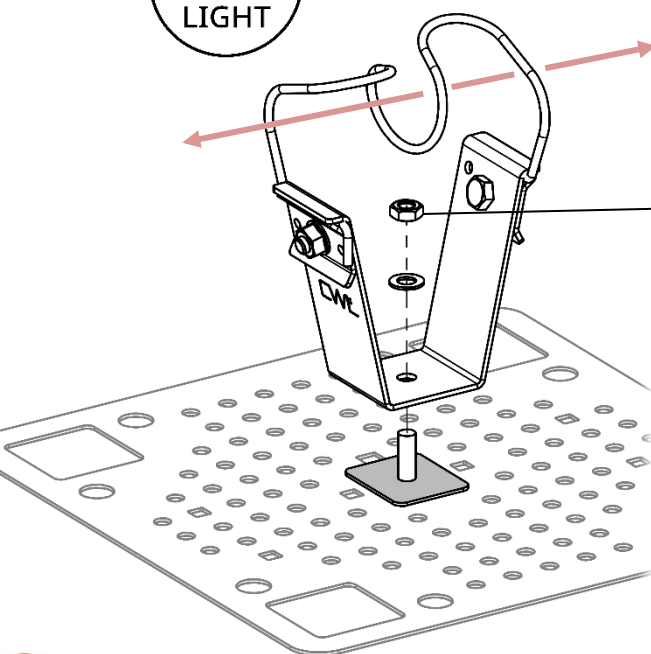
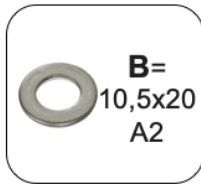
M-352-2

\*PVC, ECB, FPO:

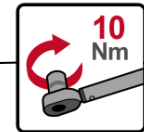
**M-349-2**

\*EPDM:

**M-351-2 M-352-2**



A+B+C



M-349-1

M-350

M-351-1

M-352-1

