

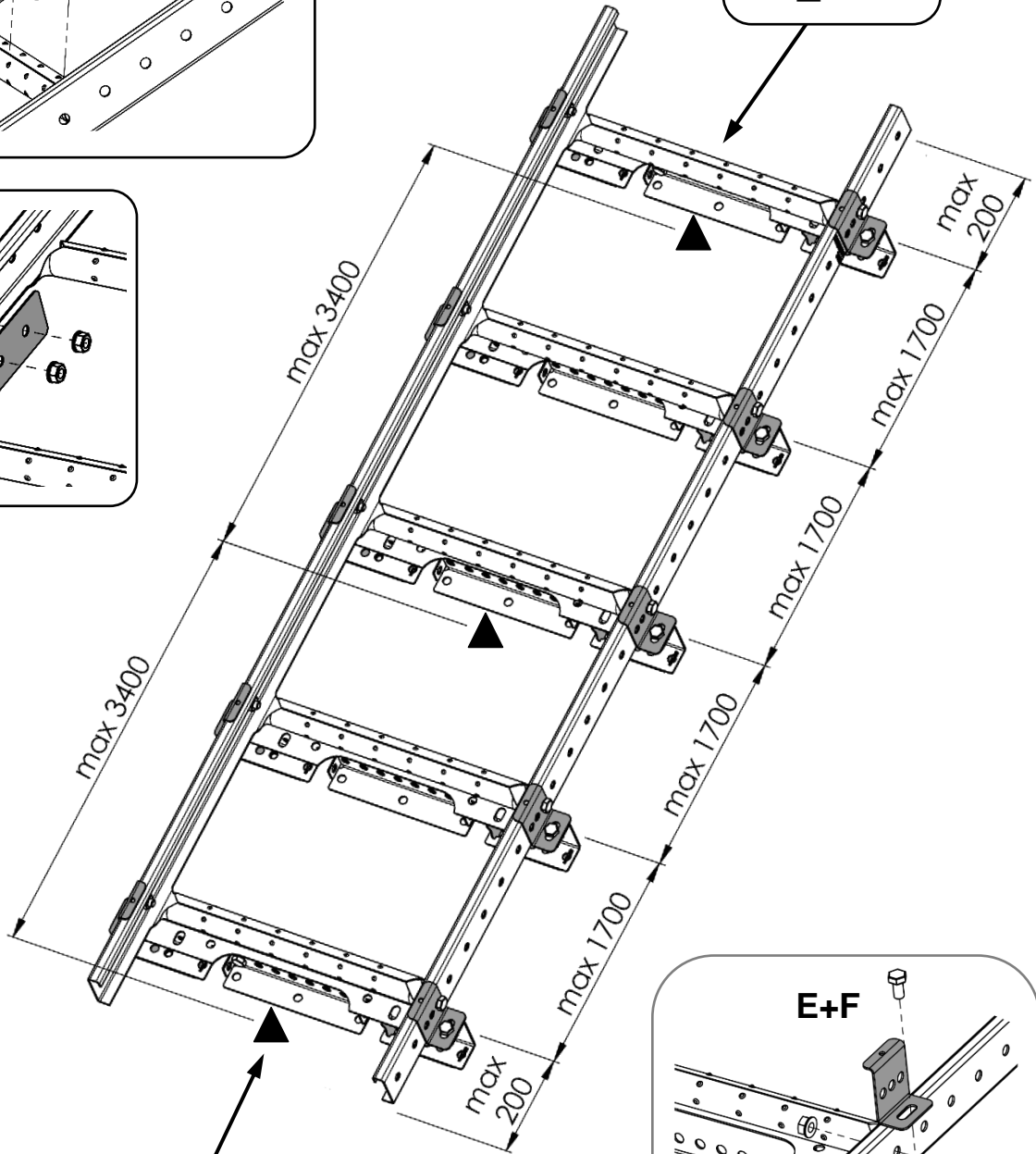
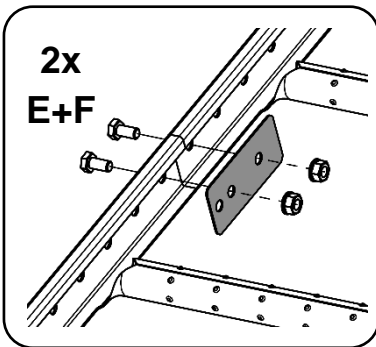
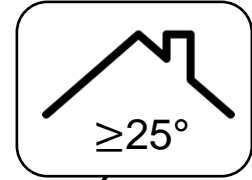
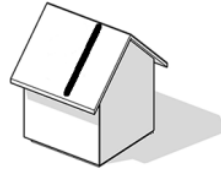
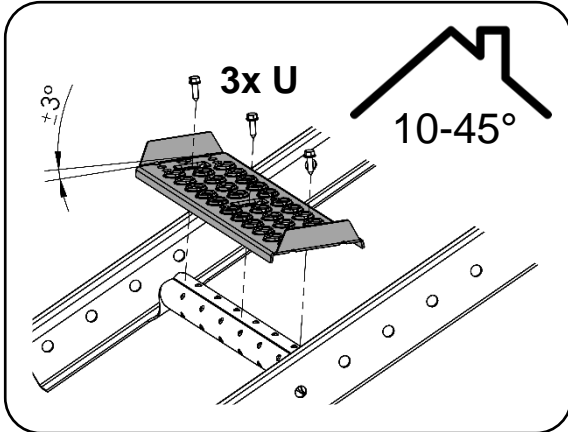


M-303 2208

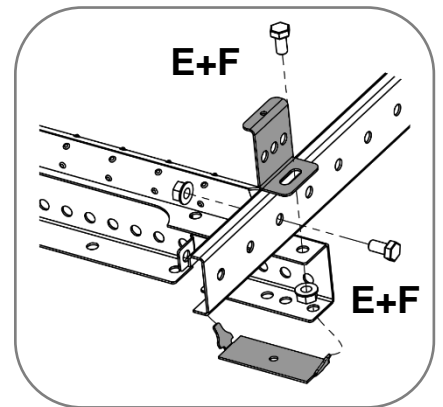
M-085 M-131 M-201 M-202 M-229
M-244 M-294



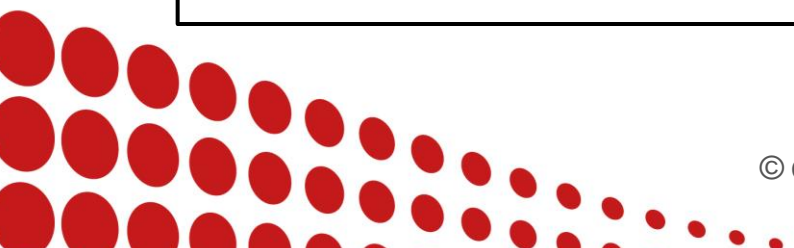
[mm]



min 3x ▲
▲ = M-085 / M-131 / M-201 / M-202 / M-229



cwlundberg.com



CE	
Year: 21	
CW Lundberg Industri AB, Landsvägen 52, SE-792 22 Mora	
Identification code: CWLRL03A	
Declaration of Performance, DoP nr CWL0211-1	
Notified body: NB 0402	
Harmonized standard: EN 12951:2004	
Permanently fixed roof ladder Roof ladder may be used as anchor point for personal fall protection equipment C2-TA	
Mechanical resistance:	Deemed to satisfy
External fire performance and reaction to fire:	A1
Durability of mechanical resistance:	Deemed to satisfy

CE	
Year: 21	
CW Lundberg Industri AB, Landsvägen 52, SE-792 22 Mora	
Identification code: CWLRL03B	
Declaration of Performance, DoP nr CWL0212-1	
Notified body: NB 0402	
Harmonized standard: EN 12951:2004	
Permanently fixed roof ladder Roof ladder may be used as anchor point for personal fall protection equipment C2-TB	
Mechanical resistance:	Deemed to satisfy
External fire performance and reaction to fire:	A1
Durability of mechanical resistance:	Deemed to satisfy

