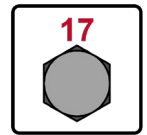
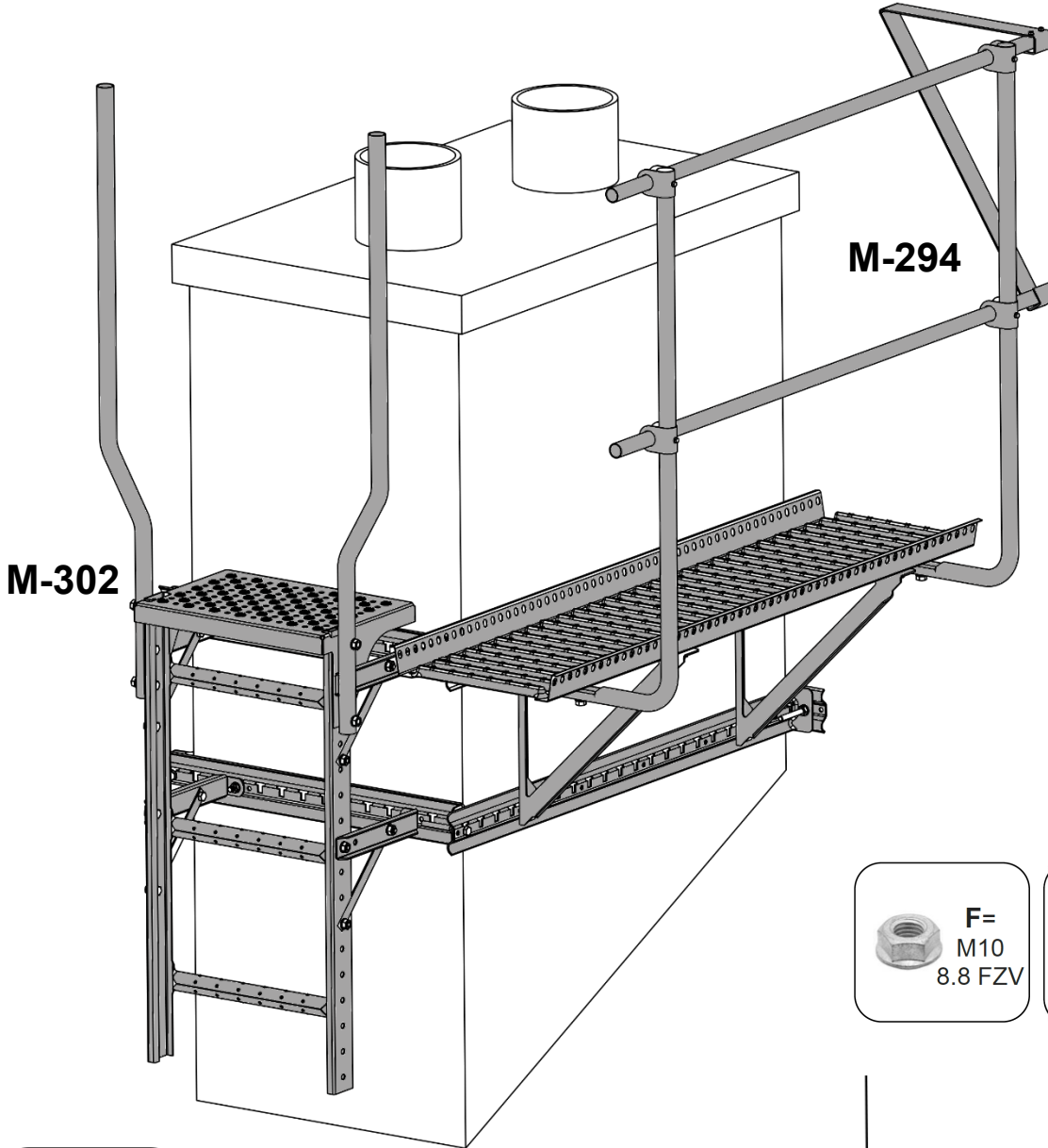




# M-305-1 2008

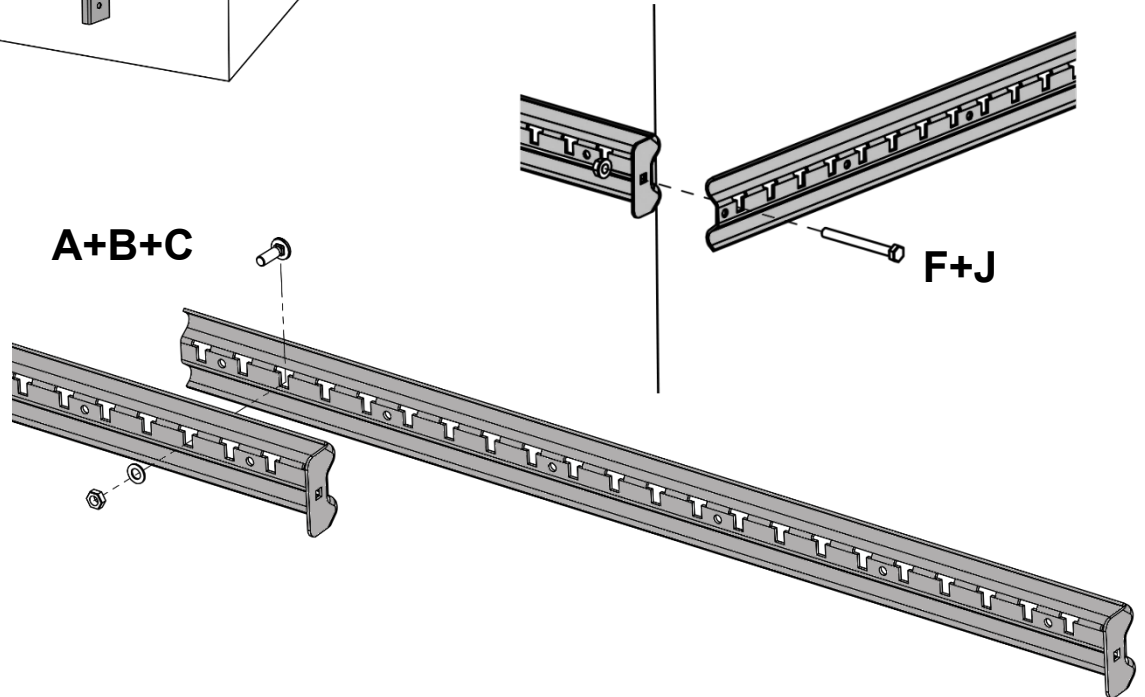
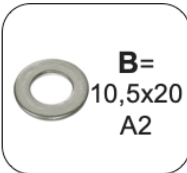
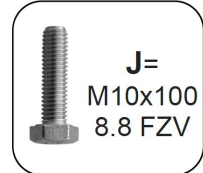
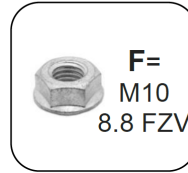


[mm]



M-302

M-294



A+B+C

F+J

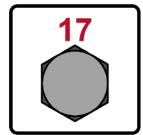
cwlundberg.com





# M-305-2 2007

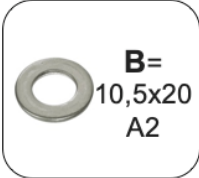
M-302



[mm]



**A=**  
M10x32  
A2



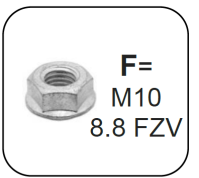
**B=**  
10,5x20  
A2



**C=**  
M10  
A2

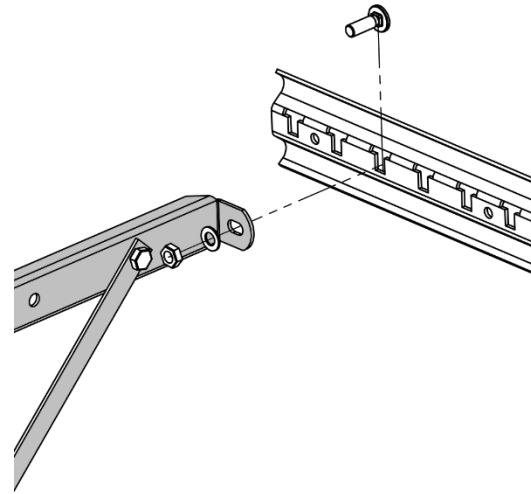


**E=**  
M10x20  
8.8 FZV

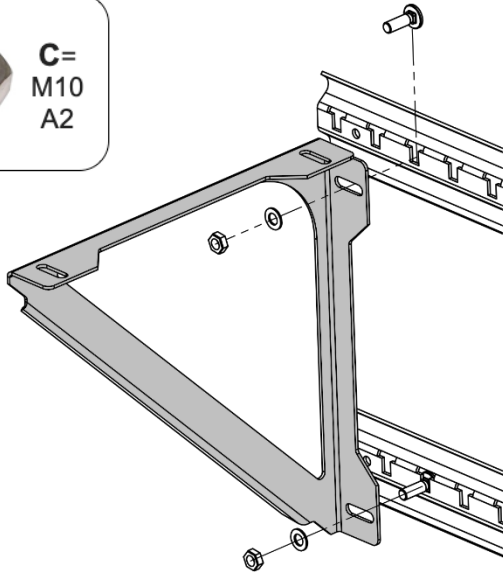


**F=**  
M10  
8.8 FZV

**A+B+C**



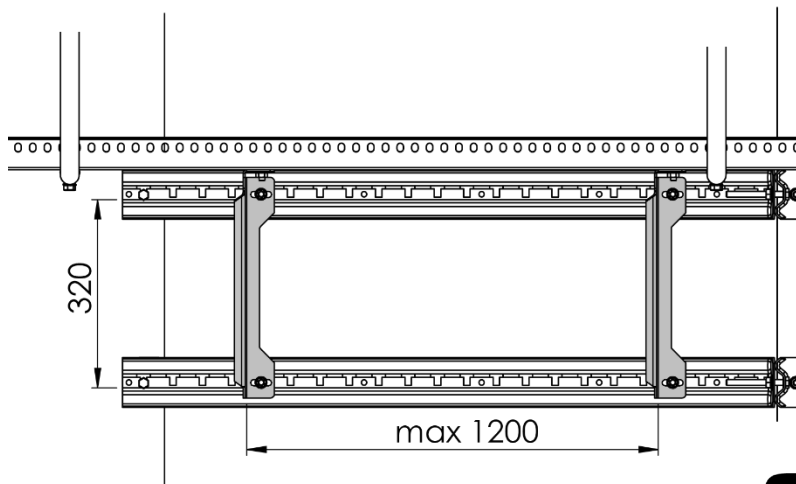
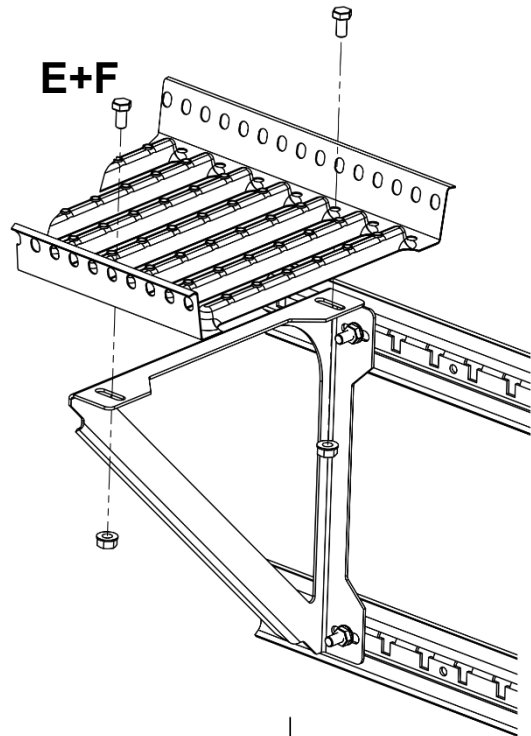
**A+B+C**



**A+B+C**

**E+F**

**E+F**



cwlundberg.com