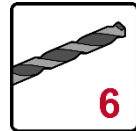




# M-347-1 2110

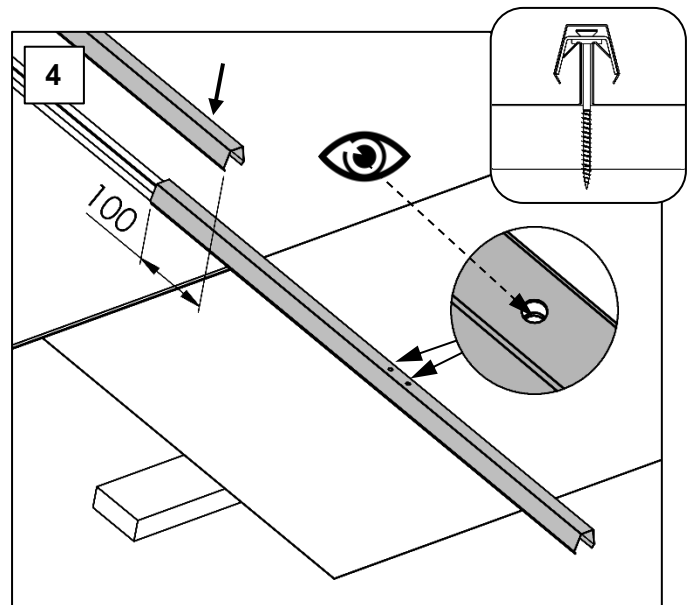
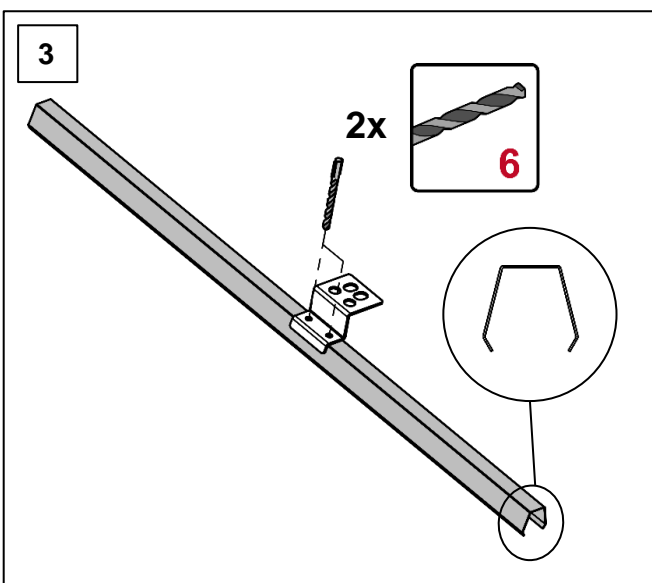
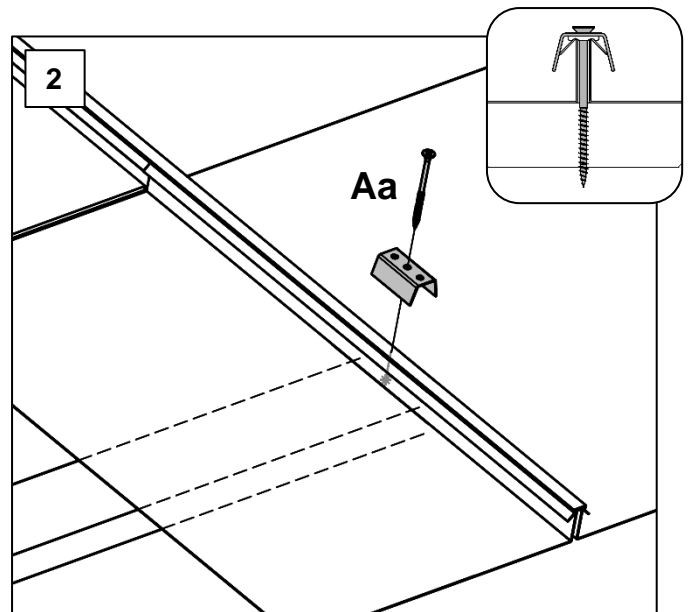
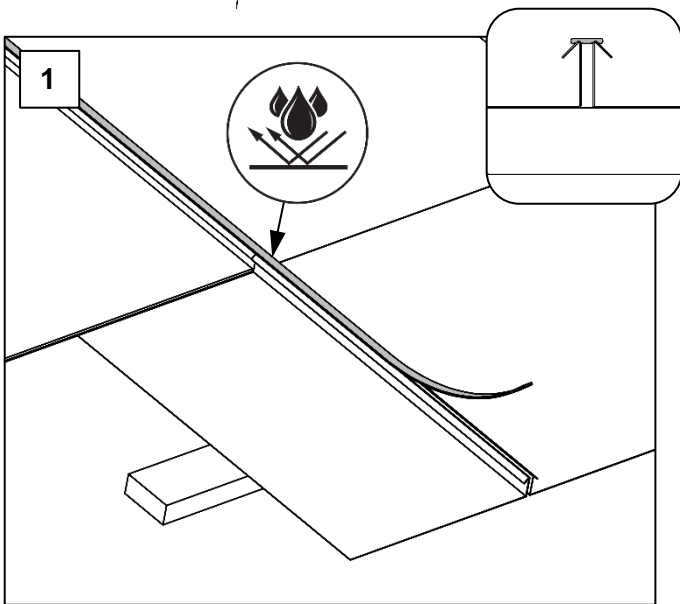
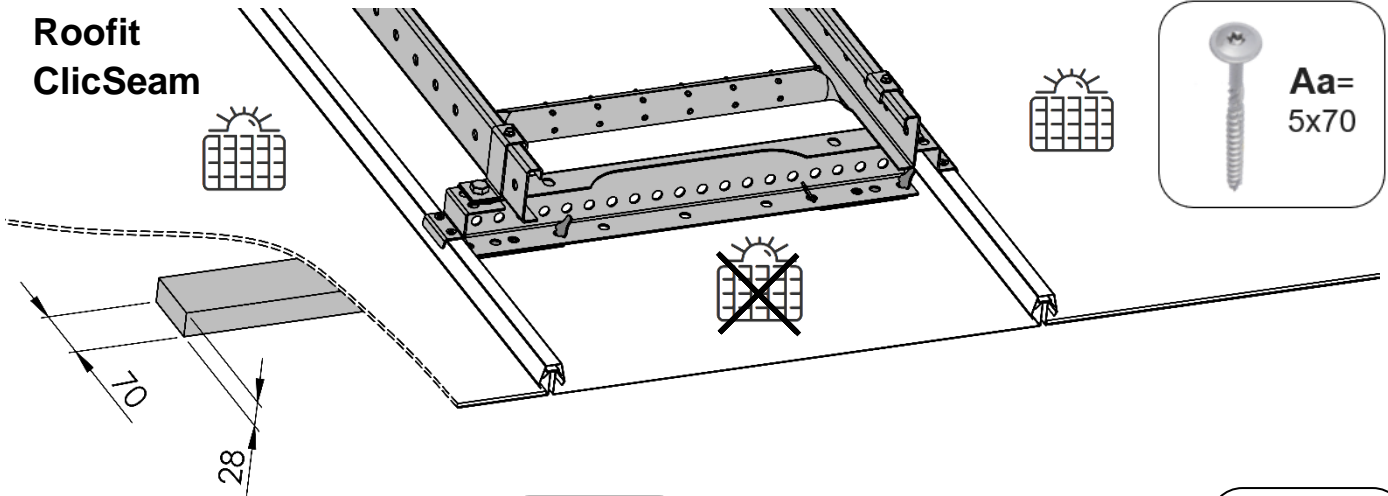
## M-303 M-347-2

Patent Pending



[mm]

### Roofit ClicSeam



cwlundberg.com





# M-347-2 2110

M-303 M-347-1

Patent Pending

T25



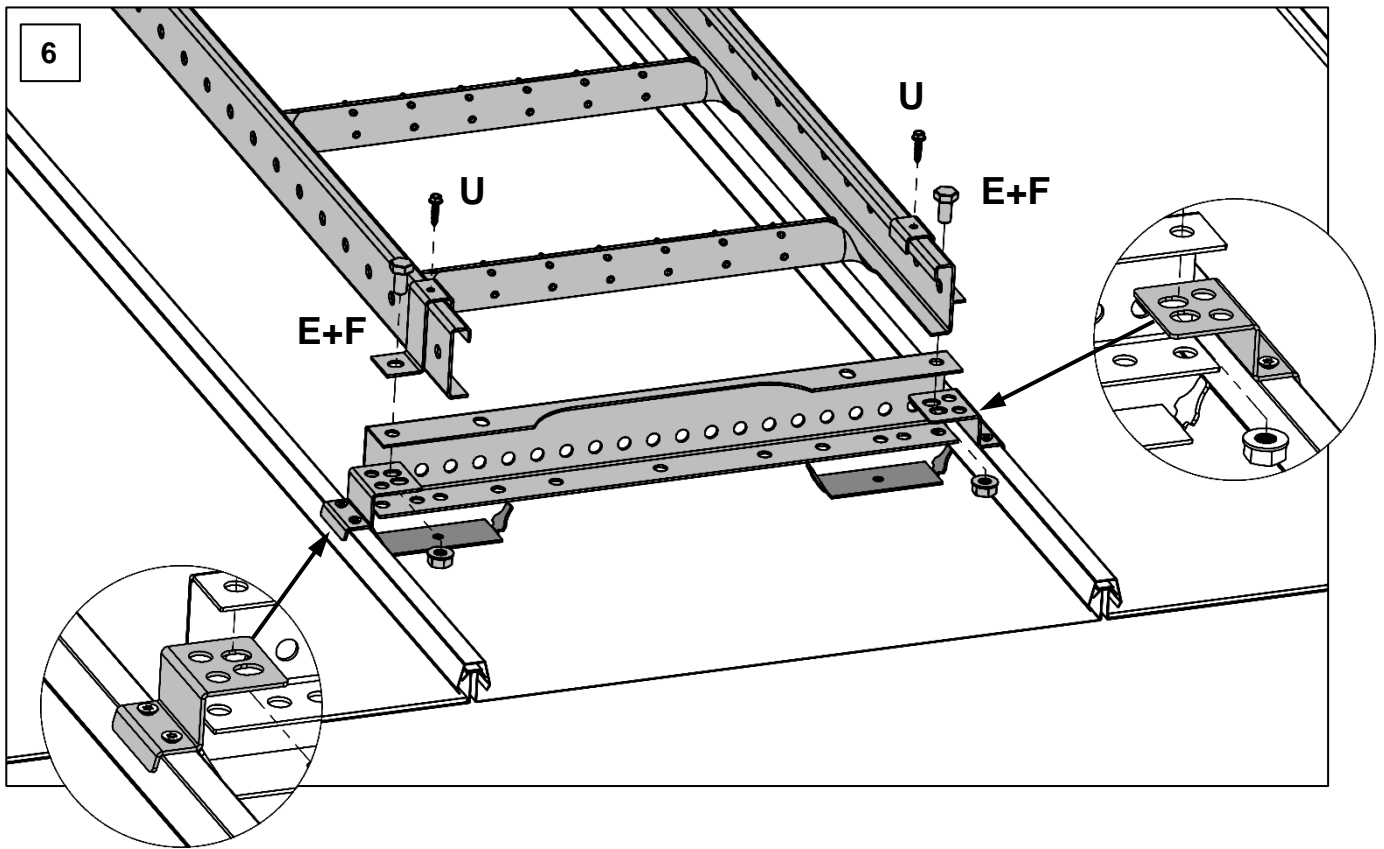
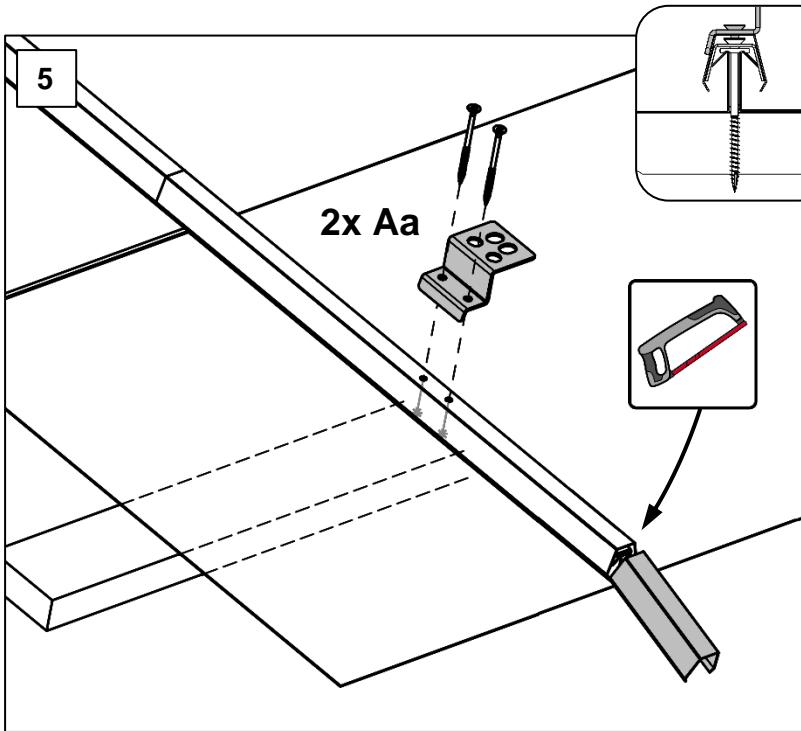
17



8



[mm]



cwlundberg.com