

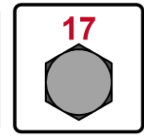


M-357 22102

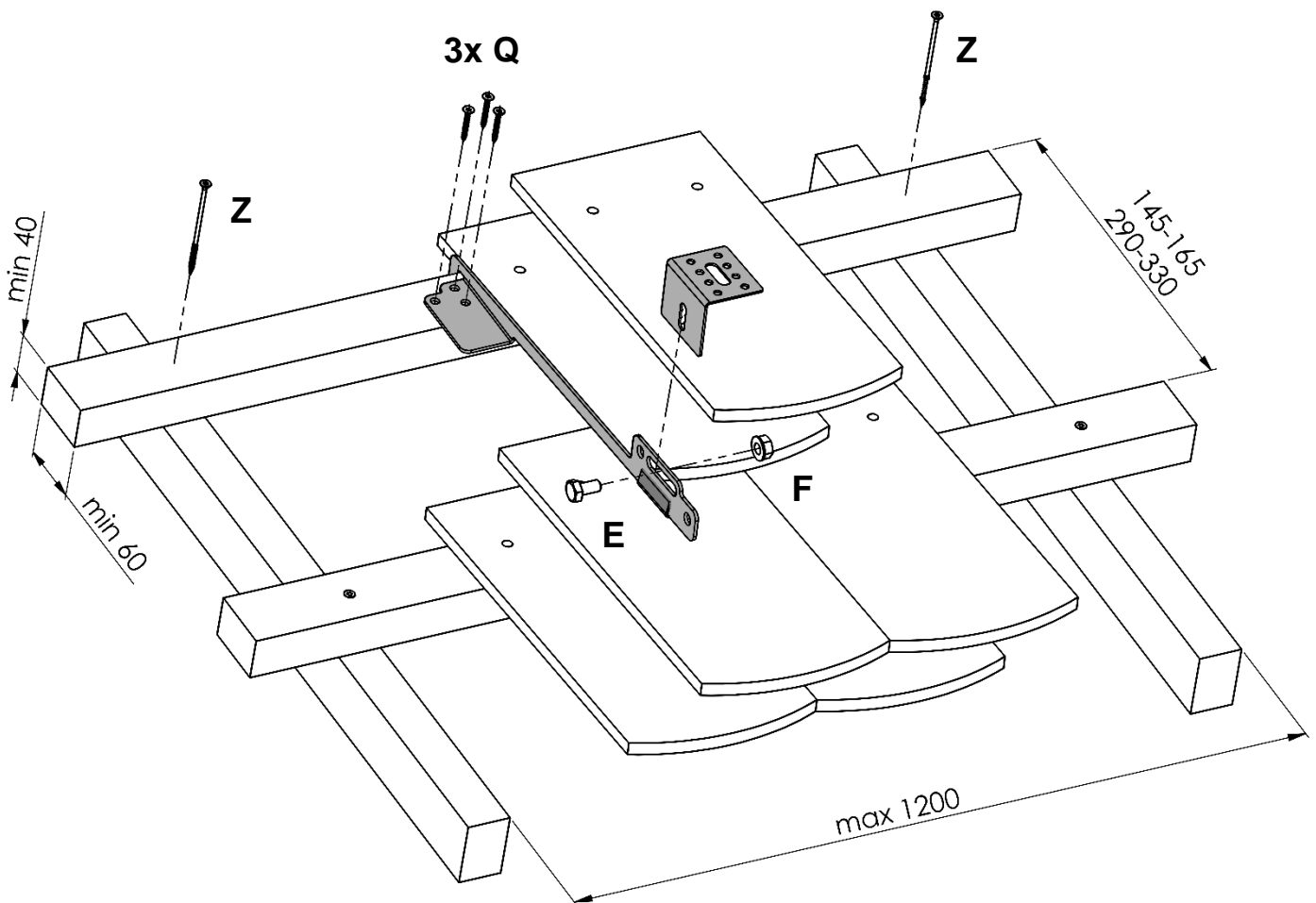
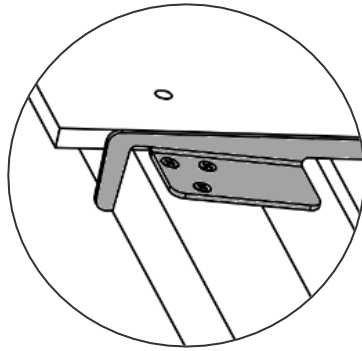
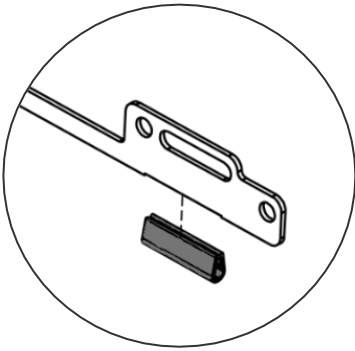
CWL0219



Registered
EU
design



[mm]



cwlundberg.com