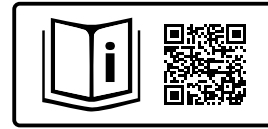
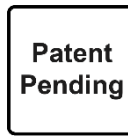




M-368-1 2311

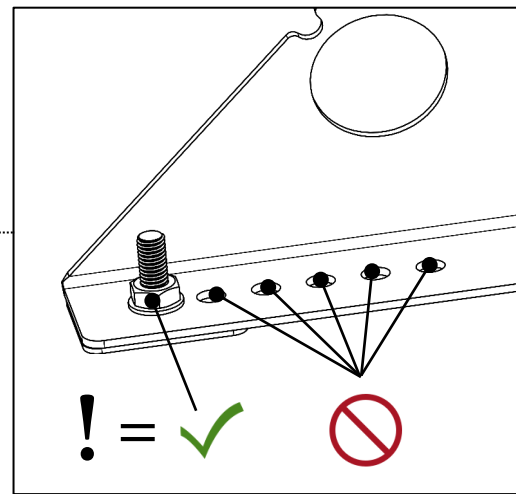
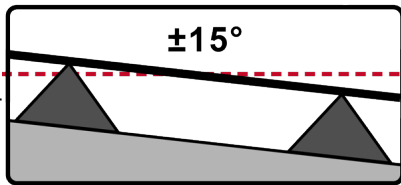
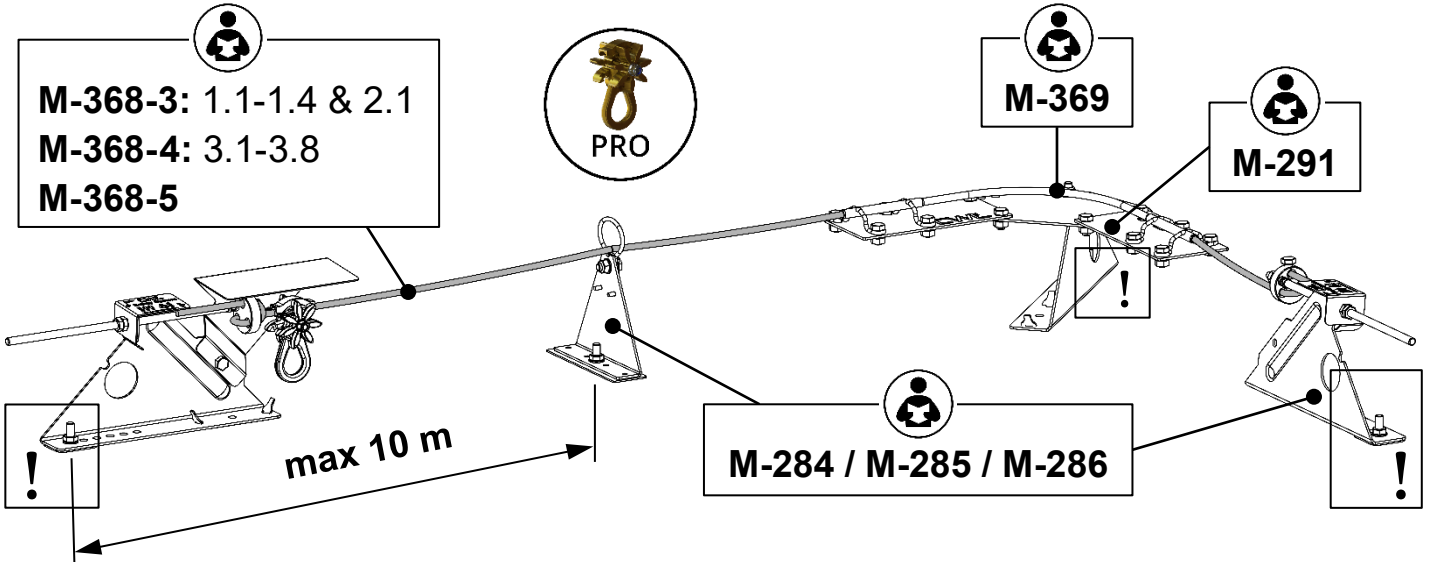
M-284 M-285 M-286

M-291 M-369

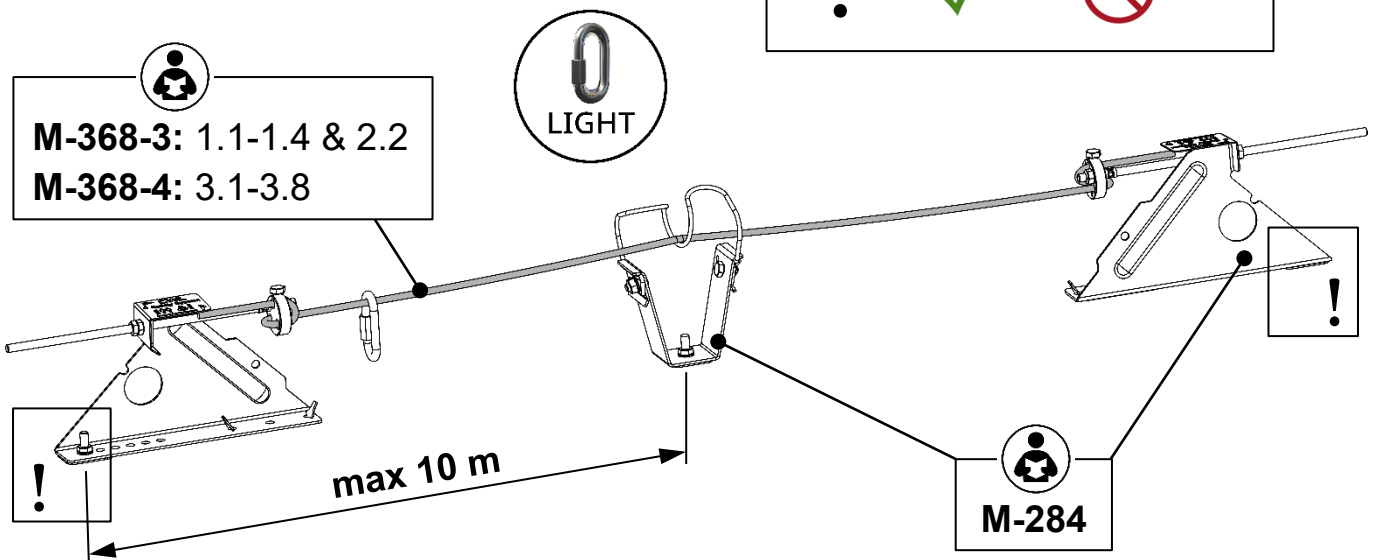


PR0038

CWL0152



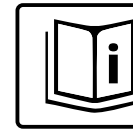
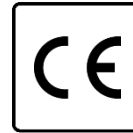
cwlundberg.com





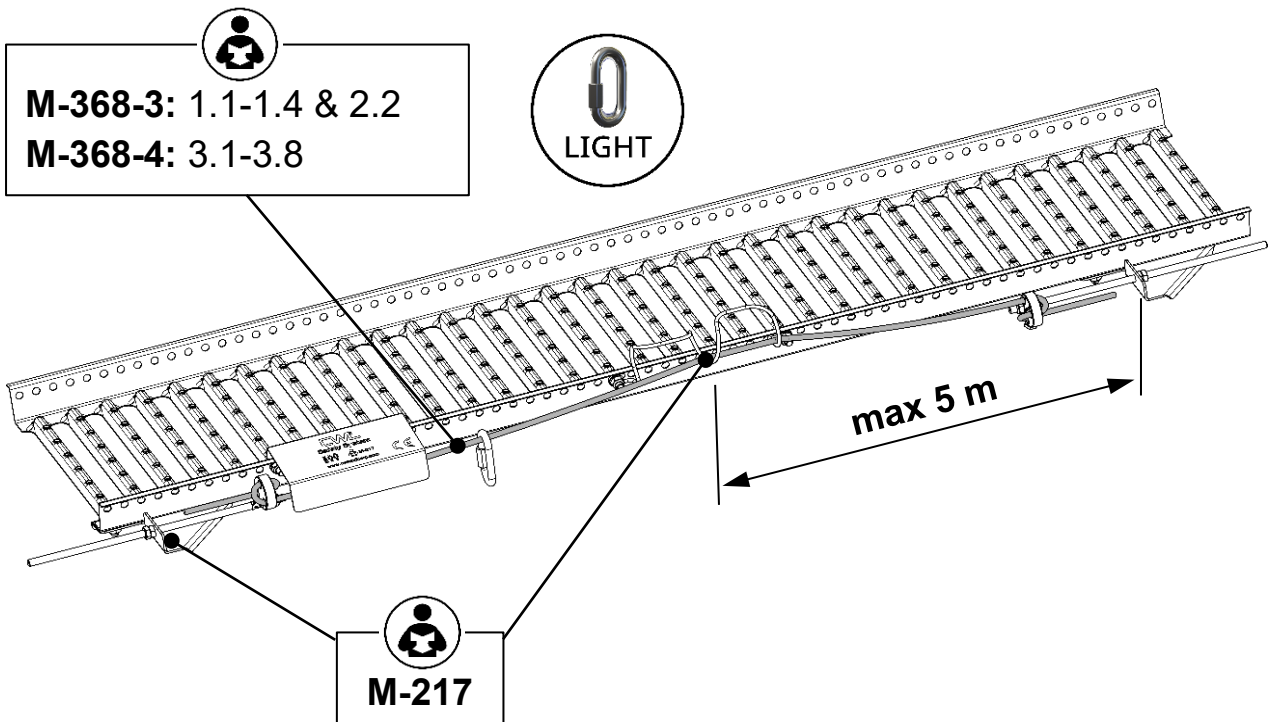
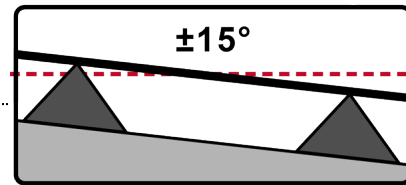
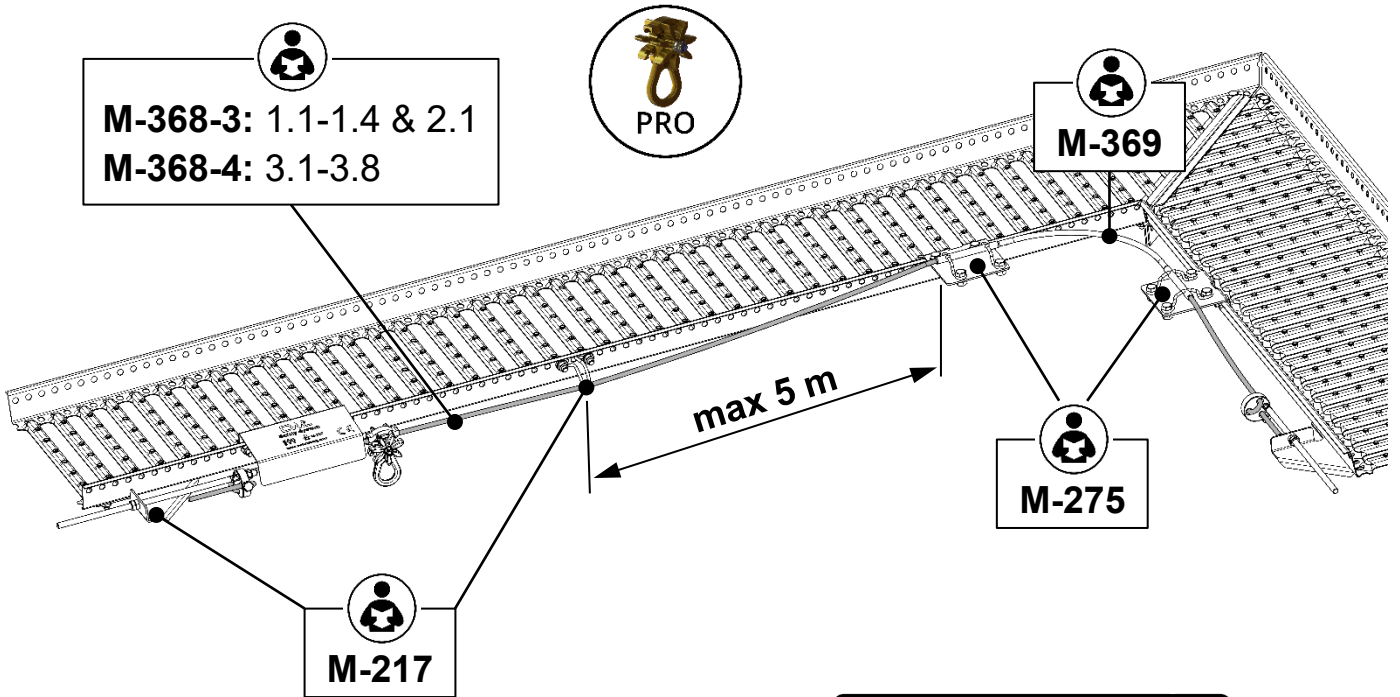
M-368-2 2311

M-217 M-275 M-369



PR0038

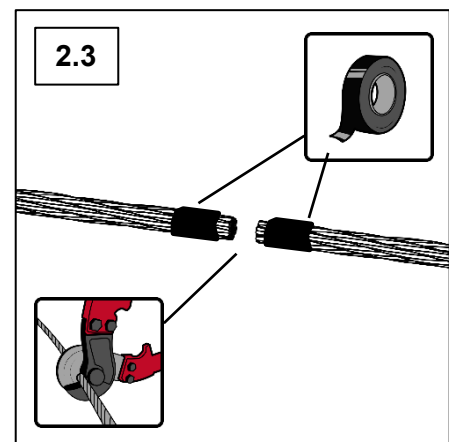
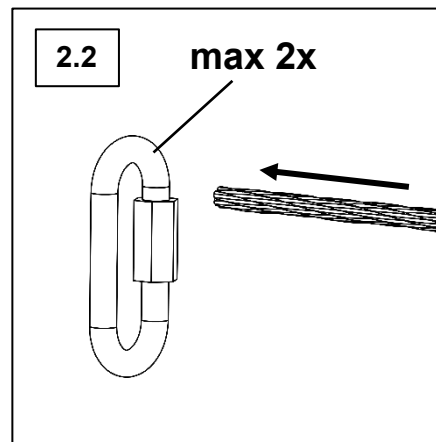
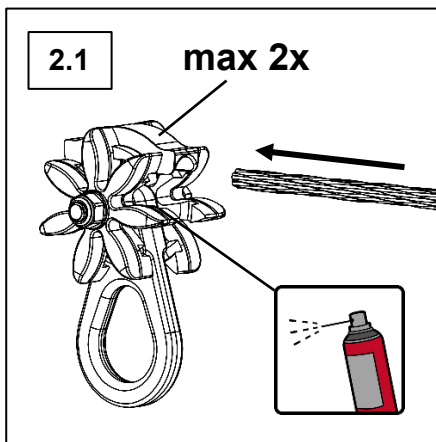
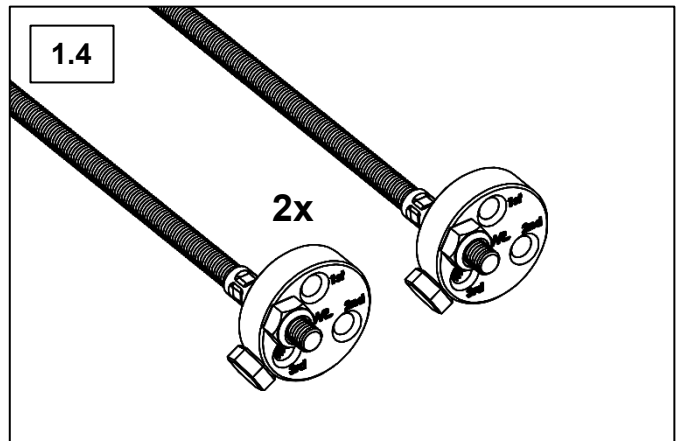
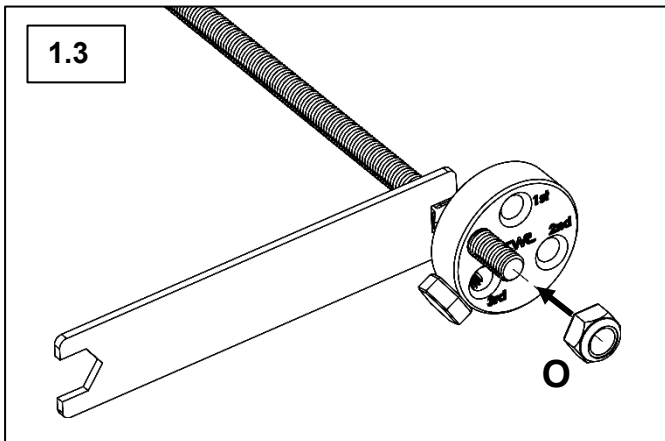
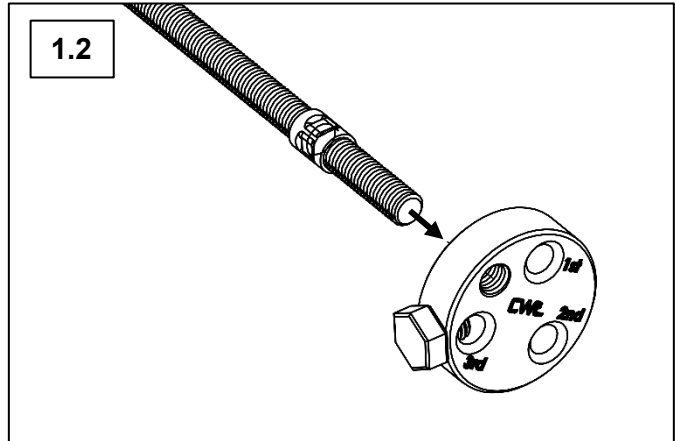
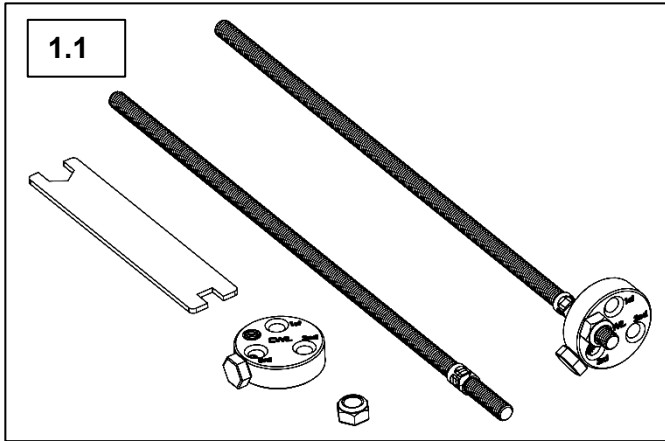
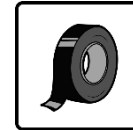
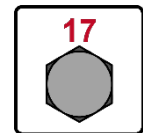
CWL0152





M-368-3 2311

Patent Pending

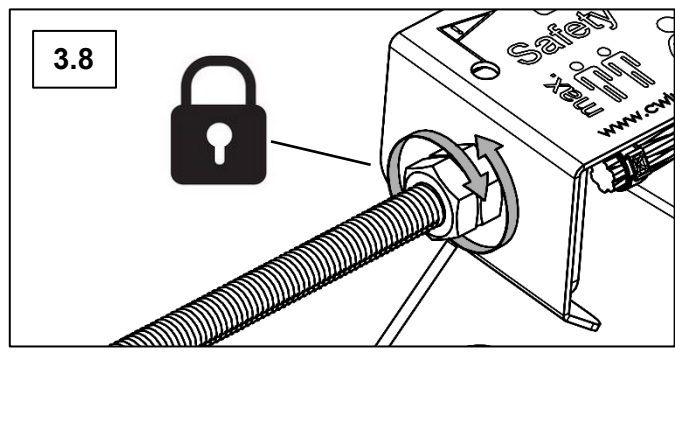
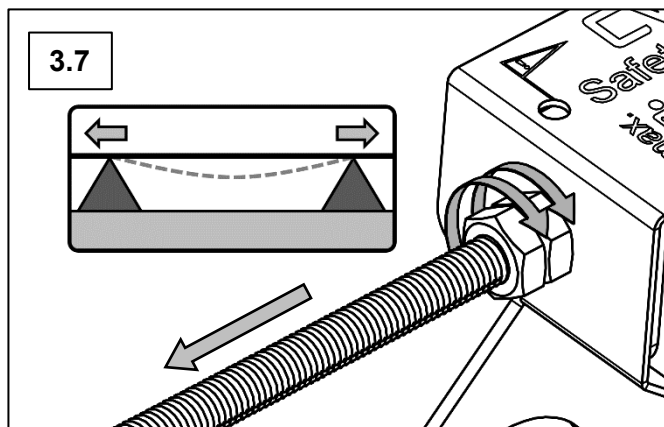
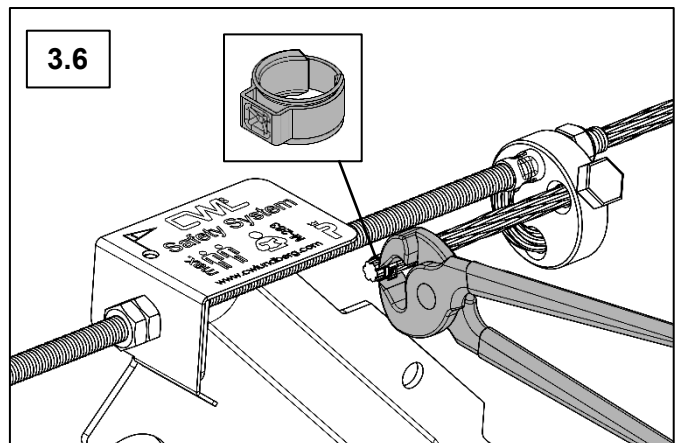
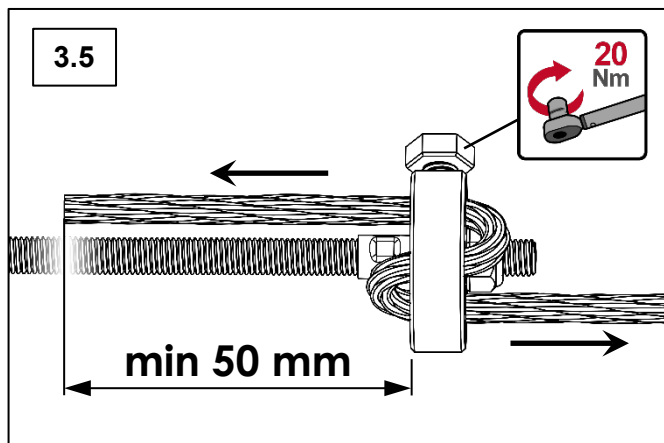
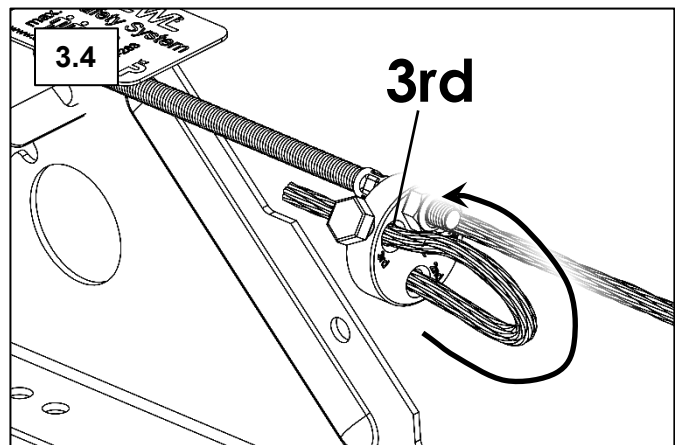
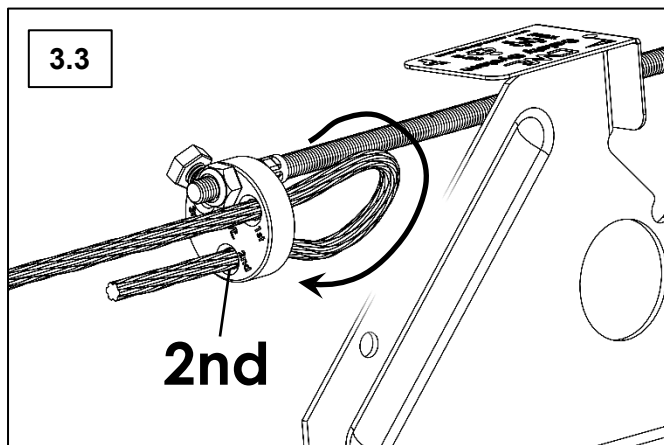
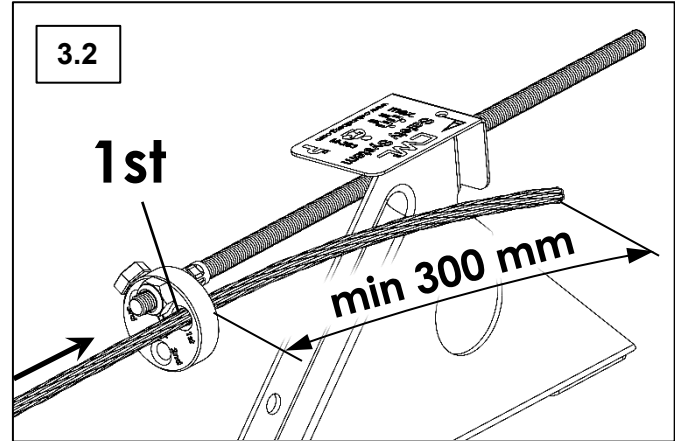
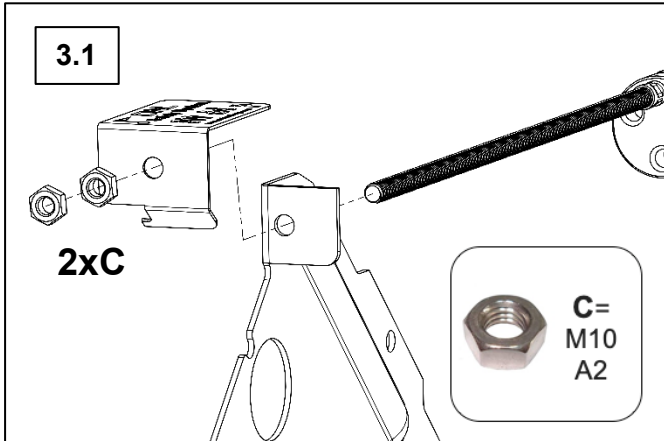
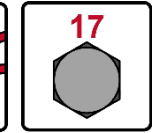
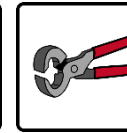
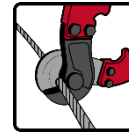


cwlundberg.com



M-368-4 2311

Patent Pending



cwlundberg.com



M-368-5 2311

