



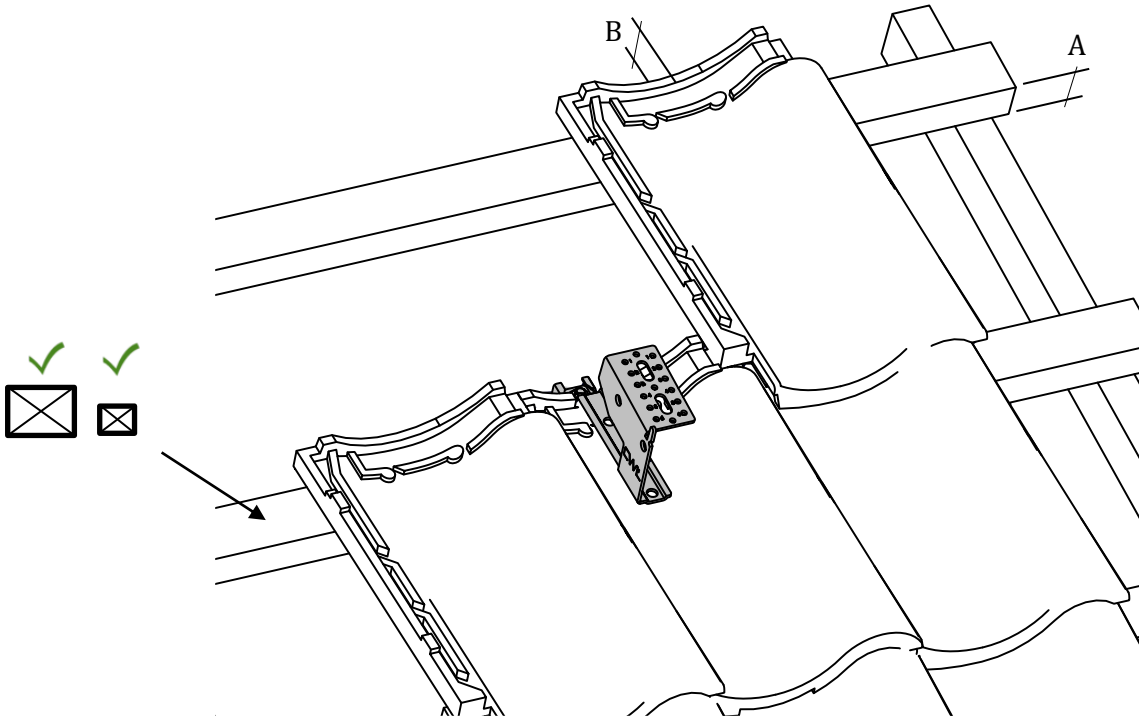
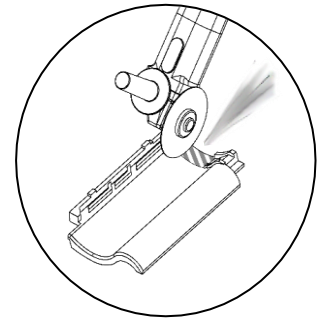
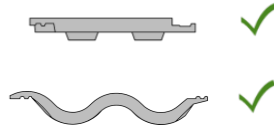
M-380 2509

M-363 M-364

Patent
Pending



[mm]



cwindenberg.com

